

Contents:

STERLING[®] oil/water separators & service kits

- Page 3 [STERLING[®] CS75 separator](#)
- Page 4 [Description of STERLING CSR range separators](#)
- Page 5 [STERLING[®] CSR150, 450, 1000, 2000 & 3000 + service kits & accessories](#)
- Page 6 [STERLING[®] CSR150AF, 450AF, 1000AF, 2000AF & 3000AF + service kits & accessories](#)
- Page 7 [STERLING[®] CS100IBC & CS200IBC Large oil/water separators](#)



STERLING[®] Condensate drains

- Page 8 [Description & selection table. Basic timed drains](#)
- Page 9 [Analog & digital premium timer controlled drains](#)
- Page 10 [Hybrid and Float controlled drains](#)
- Page 11 [ZL1300 & ZL5000 Zero loss electronic drains - heavy duty](#)
- Page 12 [EMD12 Zero loss electronic drains - small/medium range](#)



3rd party oil/water separator kits

- Page 13 [Introduction and product finder](#)
- Page 14-19 [Listing by brand A to Z](#)



STERLING[®] Airline filters and accessories

- Page 20-21 [General descriptions & housings, drains etc](#)
- Page 22 [Elements & cyclone separators](#)



Alternative air filter elements

- Page 23 [Detailed index for 3rd party elements](#)
- Page 24-27 [Brands A to B](#)
- Page 28-30 [Brands C to D](#)
- Page 30-32 [Brands H to K](#)
- Page 32-34 [Brands M to S](#)
- Page 35-36 [Brands P to Z](#)
- Page 36 [Drains for filter housings](#)



Additional information

- Page 37 [BCAS statement on condensate disposal](#)
- Page 38 [Additional services \(Site visits, condensate analysis, training\)](#)
- Page 39 [Company address, contact, bank & VAT details etc](#)
- Page 40 [Back cover](#)

“the product of experience”
oil-water separators

STERLING[®]
separation

STERLING oil/water separators are designed for clean efficient operation and to assist users in maintaining their compliance with environmental legislation.

By building on established principles and adding function and quality with creative design, STERLING is committed to producing products that equal or exceed the requirements of their customers and the market in general.

CS75



At a glance

STERLING’s smallest oil/water separator is also the smallest available separator with a replaceable cartridge filter.

This means that it’s lifetime cost is much lower than single-use ‘throwaway’ separators - and it’s also more environmentally friendly.

CS75 works with any compressor up to 11kW

- 2.1 m³/min (75scfm) capacity
- <4000 hours service life
- Rapid installation with wall-mount or floor-mount options available
- Push-in rapid fittings
- ‘Time-in-service’ indicator
- Guaranteed splash-free design
- ‘No-tools-required’ for the rapid cartridge change
- **10-year warranty***

Model	H mm	W mm	D mm	Weight (kg)	Inlet	Outlet	Capacity (cfm/m ³ min)	Max filter life (hrs)	Price each	Price for 5 off	Price for 10 off
CS75 separator	290	180	190	1.4	6mm quick	10mm quick	75 / 2.1	<4000	£108.00	£440.00	£780.00
CS75FM Floor mount	Optional floor mount holder (one wall bracket is supplied as standard)								£3.80	£17.00	£32.00
CS75SK Service kit	270	170	170	1.0	Comprises replacement filter cartridge and a new ‘Time-in-service’ indicator				£54.00	£246.00	£467.60

Oil carry-over <20ppm based on mineral or mineral-based synthetic lubricants being used in a well maintained air compressor. For PAG lubricants see CSR separators on following pages.

Re-sellers and stockists should contact STERLING to confirm their re-sale discount

oil-water separators

“the product of experience”

Elegant design; uncomplicated selection; flexible installation; reliable operation; rapid maintenance; low cost of ownership. Need we say more?

Well yes! With STERLING’s unwavering support from the industry’s most experienced team and the confidence of a ten-year factory warranty, STERLING CSR is the ‘no-risk’ choice in oil/water separators

CSR 150
450
1000
2000
3000

CSR lid showing Time-in-service indicator and the secure test jar location.



Brass thread inserts and twin accessible sample points demonstrate the thoughtful design and build quality of CSR separators



Optional floor stand for CSR150 & CSR450 raises the outlet in places where the drop to the drain does not provide enough slope for correct flow



4 ↑



different
by being
better

Larger CSR separators use multi-part filters to make removal easier and safer during one-man servicing operations - even on the CSR 1000, 2000 and 3000



CSR2000 and CSR3000 incorporate the CSEQ3 condensate splitter manifold. This ensures equal flow to the separator towers, getting the most out of the filters and preventing over-flows caused by overloaded units



A CSR2000 has two separators fed via a CSEQ3 manifold, while the CSR3000 comprises three separators fed through a CSEQ3

The manifold is available separately as a retro-fit device for any oil/water separator installation, or it can be used as a pressure relief chamber to protect separators in high pressure systems.

For 'normal' condensates

from mineral or mineral-based synthetic lubricants

Separators

Reduce capacity & service life by 50% for polyalkylene glycol (PAG)

Model	H mm	W mm	D mm	Weight (kg)	Inlet	Outlet	Capacity (cfm/m ³ min)	Max filter life (hrs)	Price each
CSR150	560	220	255	3.4	4 x 1/2"	1/2" hose	150 / 4.2	<4000	£330.00
CSR450	750	310	335	8	4 x 1/2"	3/4" hose	450 / 12.7	<4000	£500.00
CSR1000	980	400	430	16	4 x 1/2"	3/4" hose	1000 / 28.3	<4000	£730.00
CSR2000	Multiples of CSR1000			36		3/4" hose	2000 / 56.6	<4000	£1660.00
CSR3000	+ 1 x CSEQ3			52		3/4" hose	3000 / 85	<4000	£2390.00

Service kits

Kit	Description	Price each
CSR150SK	Service kit for CSR150- includes disposal bag & 'Time-in-service' indicator	£150.00
CSR450SK	Service kit for CSR450 - includes disposal bag & 'Time-in-service' indicator	£235.00
CSR1000SK	Service kit for CSR1000 - includes disposal bag & 'Time-in-service' indicator	£375.00
CSR2000SK	Service kit for CSR2000 (comprises 2 x CSR1000SK)	£750.00
CSR3000SK	Service kit for CSR3000 (comprises 3 x CSR1000SK)	£1125.00

Spares & Accessories (for all CSR types)

	H mm	W mm	D mm	Weight (kg)	Inlet	Outlet	Capacity (cfm/m ³ min)	Price each
CSEQ3	320	300	160	2.2	3 x 1/2" BSP	3x1/2" BSP	10,000 / 280	£250.00
CSR150STD	Stand to raise CSR150 or CSR450 by approx 300mm							£115.00
CSR450STD								£115.00
SB1	Replacement sample bottle							£30.00
TISKIT	Replacement Time-in-service strip and mounting card							£5.00

Standard Separator specifications assume well maintained compressors and reasonable operating conditions. Performance on mineral or mineral-based lubricants should be as above, irrespective of compressor, condensate drain type or climate, where the condensate produced isn't a stable emulsion. For difficult or stable emulsions choose the CSRxxx-AF range

Polyalkylene glycol (PAG) lubricants present a challenge as they are based on water-soluble material. Un-dissolved components will be removed by these separators leaving a 'clear' outlet fluid, but we advise that the separator should be down-rated to 50% of normal capacity.

For 'difficult' condensates
For emulsified or partly emulsified condensates
Full capacity and high performance on PAG

Separators

Model	H mm	W mm	D mm	Weight (kg)	Inlet	Outlet	Capacity (cfm/m ³ min)	Max filter life (hrs)	Price each
CSR150AF	560	220	255	3.4	4 x ½"	1/2" hose	150 / 4.2	<2000	£430.00
CSR450AF	750	310	335	8	4 x ½"	3/4" hose	450 / 12.7	<2000	£650.00
CSR1000AF	980	400	430	16	4 x ½"	3/4" hose	1000 / 28.3	<2000	£930.00
CSR2000AF	Multiples of CSR1000AF + 1xCSEQ3			36		3/4" hose	2000 / 56.6	<2000	£2070.00
CSR3000AF				52		3/4" hose	3000 / 85	<2000	£2990.00

Service kits (For AF type)

Kit	Description	Price each
CSR150AFK	Service kit for CSR150AF- includes disposal bag & 'Time-in-service' indicator	£250.00
CSR450AFK	Service kit for CSR450AF - includes disposal bag & 'Time-in-service' indicator	£385.00
CSR1000AFK	Service kit for CSR1000AF - includes disposal bag & 'Time-in-service' indicator	£575.00
CSR2000AFK	Service kit for CSR2000AF (comprises 2 x CSR1000AFK)	£1150.00
CSR3000AFK	Service kit for CSR3000AF (comprises 3 x CSR1000AFK)	£1725.00

STERLING 'AF' kits can be retro-fitted into standard separators as they are dimensionally identical with standard kits.

The benefit to the customer is that should site conditions change, creating a more difficult condensate, the investment in the standard separator can be utilised and the product capability fully realised. Equally, if the condition that caused a 'difficult' condensate to occur is removed, then standard filters can be employed saving costs for the future.

STERLING AF Separator specifications assume well maintained compressors and reasonable operating conditions. Performance on mineral or mineral-based lubricants should be as above, irrespective of compressor, condensate drain type or climate, even where the condensate produced is a stable emulsion. A condensate test may be advisable before ordering

Polyalkylene glycol (PAG) lubricants present a challenge as they are based on water-soluble material. These AF separators are fitted with special filters to digest both un-dissolved and dissolved components of the PAG lubricant

For bigger systems

using mineral or mineral-based synthetic lubricants

Reduce capacity by 50% for polyalkylene glycol (PAG)

Using a large-scale version of the proven technology found in the CSR range, STERLING's large separators utilise internationally standardised bulk containers to minimise the cost of manufacture.

That benefit is passed on to the customer, along with our legendary support, consistent reliability and excellent performance.

Lasting up to 16,000 hours in use, these are the ultimate in large scale economical condensate cleaning.



- No power consumption, small footprint
- No moving parts - no floats, weirs, oil containers or sensors
- No maintenance required (except weekly quality check) for up to 16,000 hours
- Cartridge-type replacement filter ensures quick & clean service routine.
- Economically engineered—Lowest 'cost of ownership' of all possible solutions
- Up to 2 years between services at capacities of **3500 or 7000 cfm (100 or 200 m³/min)**

Separators

Model	H mm	W mm	D mm	Weight (kg)	Inlet	Outlet	Capacity (cfm/m ³ min)	Max filter life (hrs)	Price each
CS100-IBC	1200	800	1000	650 full	2 x ¾" BSP	1" Hose'	3500 / 100	<16000	£4400.00
CS200-IBC	1220	102	1500	1060 full			7000 / 200	<16000	£6400.00

Service kits

CS100-IBCK	1200	800	1000	100	2 x ¾" BSP	1" Hose'	3500 / 100	<16000	£3350.00
CS200-IBCK	1220	102	1500	160			7000 / 200	<16000	£4995.00

Servicing summary

At end-of-life the full, spent IBC complete with captured oil should be removed from site by a licensed contractor and replaced with a new IBCK. The pressure relief chamber and pipe-work are retained for re-fitting. The operation is quick and simple, and should be done, at most, every 2 years.

Choose the right type of drain for your application

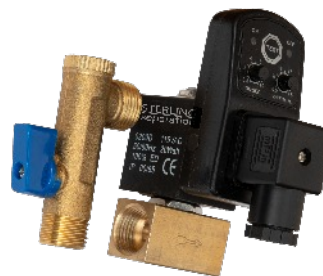
Take a look at the table below for at-a-glance benefits of each type

Type	Purchase cost	Running cost	Installation	Maintenance	System alarms etc	Comments
Timer controlled	Low	High	Flexible	Low	None	Can waste a lot of compressed air
Float controlled	Low/Medium	Medium	Variable	Medium	None or Limited	Not ideal for older or corroded systems
Hybrid	Medium	Low/Medium	Flexible	Low	None	A good balanced solution
Zero loss electronic control	High	Low	Care needed	Medium	Medium / High	Long term cost saver. Install and maintain it correctly for best results

Timer controlled drains (analog)



TD15A



TD15B

Model	Valve			Timer			Price (each)	
	Description	Pressure	Port size	Interval	Open	Voltage options	1-9 off	10+
TD15A	One-piece brass drain with an integrated BVS	0-16 bar	1/2" BSP or NPT	0.5 - 45 minutes	0.5 - 10 seconds	220Vac 110Vac 24Vdc	£40	£37
TD15B	Brass drain with a separate BVS assembly	0-16 bar	1/2" BSP or NPT	0.5 - 45 minutes	0.5 - 10 seconds	220Vac 110Vac 24Vdc	£40	£37

Part number example: **TD15A-110V-1/2BSP** has an integrated BVS, 110v coil & 1/2" BSP

Timer controlled drains cont'd



CS711 (with analog timer)



CS720 (with analog timer)



3800 (digital timer as supplied with CS3800 models)

Model	Valve			Analog Timer			Price (each)	
	Description	Pressure	Port size	Interval	Open	Voltage options	1-9 off	10+
CS711	Brass drain with a separate BVS assembly	0-16 bar	1/4" BSP	0 - 120 minutes	Fixed	220Vac 110Vac 24/48vdc	43 53 53	39 48 48
CS720 3/8"	Brass drain with a separate BVS assembly	0-16 bar	3/8" BSP	0.5 - 45 minutes	0.5 - 10 seconds	220Vac 110Vac 24Vdc 12vdc	49 59 59 59	44 53 53 53
CS720 1/2"	Brass drain with a separate BVS assembly	0-16 bar	1/2" BSP	0.5 - 45 minutes	0.5 - 10 seconds	220Vac 110Vac 24Vdc 12vdc	51 61 61 61	46 56 56 56
CS720 3/8" 80 bar	Brass drain WITHOUT BVS	0-80 bar	1/2" BSP	0.5 - 45 minutes	0.5 - 10 seconds	220Vac	£68	£62
CS720 1/2 80 bar	Brass drain WITHOUT BVS	0-80 bar	1/2" BSP	0.5 - 45 minutes	0.5 - 10 seconds	220Vac	£73	£67
CS220-06 3/4"	Brass drain WITHOUT BVS	0-16 bar	3/4" BSP	0.5 - 45 minutes	0.5 - 10 seconds	220Vac	£108	£95
CS220-08 1"	Brass drain WITHOUT BVS	0-16 bar	1" BSP	0.5 - 45 minutes	0.5 - 10 seconds	220Vac	£120	£115
With Digital Timer								
CS3800H 3/8"	Brass drain with BVS assembly	0-16 bar	3/8" BSP	up to 99 hrs 59 mins 59 secs	up to 9 mins 59 secs	110vac to 230vac	56	50
CS3800L 3/8"	Brass drain with BVS assembly	0-16 bar	1/2" BSP			7v to 36v ac/dc	60	55
CS3800H 1/2"	Brass drain with BVS assembly	0-16 bar	3/8" BSP			110vac to 230vac	58	52
CS3800L 1/2"	Brass drain with BVS assembly	0-16 bar	1/2" BSP			7v to 36v ac/dc	62	56

AD950T



This drain has a fixed interval, but the built-in condensate sensor automatically adjusts the 'open' time according to the amount of moisture that's accumulated.

This minimises the volume of air that's lost during operation, but simplifies the installation because the drain can never get air-locked. For convenience, it can also be installed in various orientations.

Suitable for up to 2000cfm (60m³/min)

Model	Description	Valve		Controller			Price (each)	
		Pressure	Port sizes	Interval	Open	Voltages	1-4 off	5+
AD950T	Timer / zero-loss hybrid drain	0-16 bar	Inlet 3/8" BSP	Fixed	Automatic	220Vac	149	140
			Outlet 3/8" hosetail			110Vac	149	140
						24vdc	149	140

Float controlled drains



CS402

lighter duty float drain
Ideal for drip-leg drains and smaller applications



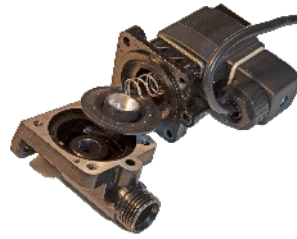
CS20B

heavy duty float drain
Ideal for distributed sites without power

Model	Description	Connection	Capacity	Price (each)	
				1-4 off	5+
CS402	Float drain for use on drip leg etc. Features a polycarbonate bowl protected by an aluminium housing. .	1/2" BSP	<400 cfm <12 m ³ /min	£35.00	£33.00
CS20B	Mechanical float drain for general use including receivers and distributed sites where there is no power. Heavy duty bowl and rugged internals.	1/2" BSP	<4000 cfm <115 m ³ /min	£70.00	£65.00

Zero-loss electronic drains

STERLING
separation



Air operated diaphragm valve for controlled flow and robust operation

Internal strainer - protects the valve and extends service life



Electronic control in IP65 rated enclosure with optional contacts for remote alarm system

ZL1300 & ZL5000 good... better...best

STERLING ZL1300 & 5000 are electronic zero-loss condensate drains designed and built to the most exacting standards to provide long-term reliability, high capacity (1300 or 5000cfm), and very importantly exceptionally low running costs.

Incorporating 2 inlets (3 on ZL5000), an internal strainer, local alarm, optional contacts for a remote alarm, override test button, and rated for IP65 protection - ZL1300 & ZL5000 offer the quality solution with rapid payback in compressed air savings.

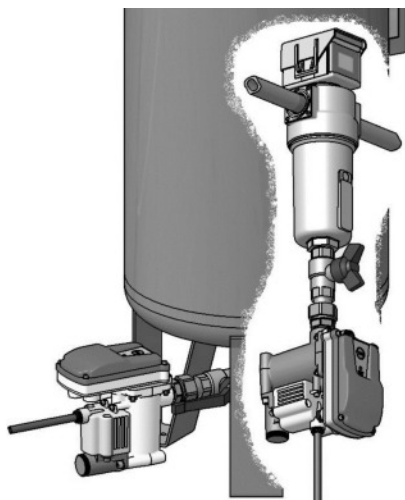
Wkg pressure **1 to 16 barg.** Wkg temperature **1C to 60C.** Body **Aluminium.** Seal **NBR**

Model	Capacity	Port size	Remote alarm contacts	Supply Voltage	Weight	Price
ZL1300-220	1300 cfm (37 m ³ /min)	Inlets Front 2 * 1/2" BSP	No	230VAC	2.0Kg	£380.00
ZL1300-220-RA			Yes			£410.00
ZL1300-110	*2 on dryer *10 on filter	Outlet 1/2" BSP	No	110VAC	(4.4 lb)	£380.00
ZL1300-110-RA			Yes			£410.00
ZL5000-220	5000 cfm (140 m ³ /min)	Inlets Top 1 * 3/4" BSP Front 2 * 1/2" BSP	No	230VAC	2.2Kg	£500.00
ZL5000-220-RA			Yes	230VAC		(4.8 lb)
ZL5000-110		Outlet 1/2" BSP	No	110VAC		£500.00

Spares & accessories

Part	Description	Price
ZLSV	Complete solenoid with new valve sub-assembled ready to fit (ZL1300)	£110.00
ZLPCB	Controller board assembly - specify 110VAC or 220VAC - (ZL1300)	£135.00
ZLOR	O' Ring set for ZL1300 drain	£12.50
ZLSV50	Complete solenoid with new valve sub-assembled ready to fit (ZL5000)	£110.00
ZLPCB50	Controller board assembly - specify 110VAC or 220VAC - (ZL5000)	£135.00
ZLOR50	O' Ring set for ZL5000 drain	£12.50

Zero-loss electronic drains



Flexible installation

EMD12 can be installed “sideways” as illustrated to simplify use with filters etc.

Having two liquid sensors the drain is equally at home in this position or in the more usual “upright” position



quick....easy....smart

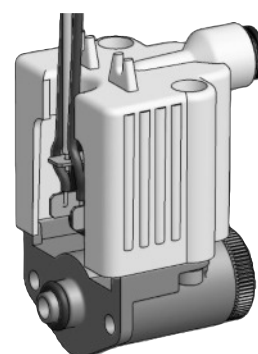
EMD12

The STERLING EMD12 is an electronic zero-loss condensate drain designed and built to the most exacting standards to provide long-term reliability and exceptionally low running costs. EMD12 is a modular drain with an easily accessible strainer that can be removed for cleaning while the drain remains installed. The low cost service module is also quickly and easily replaced. The EMD12A version offers powered connection for a remote sited alarm

Model	Specification	Variant	Price
EMD12 110V	Capacity - Compressor/system- 310 cfm (8.8 m ³ /min) Capacity - Dryer ryer 650cfm (18.6m ³ /min)		£132.00
EMD12 230V	Capacity - Filter 3750cfm (92.8m ³ /min)		£132.00
EMD12A 110V	Pressure rating 1-16 bar Voltage choice - 230VAC or 110VAC Operating temp 1.5C to 65C	With remote powered alarm function	£152.00
EMD12A 230V	Connections - inlet G1/2" outlet push fitting for 8mm tube Weight - 0.55kg		£152.00

Spares & accessories

Part	Description	Price
EMD12SK	Service kit for EMD12 (solenoid valve and strainer)	£68.00



3rd party oil-water separator service kits

(carbon bags - but without the carbon!)

Please note: Except for service kits for our own STERLING-manufactured separators, all of our service kits are aftermarket compatibles rather than manufacturers' originals.

We use our own special multi-blended Polypropylene instead of carbon because it's lighter, cleaner and longer-lasting - giving service intervals up to 4000 hrs in normal conditions.

These kits are carefully made to represent excellent value, correct fit and great performance. Please note we do not normally supply reticulated foam vent filters, gloves, buckets or any similar items or accessories which may sometimes be included in original manufacturer kits

As is the case with other 3rd party products on this list we do not seek to imply that we either supply to or purchase from the original manufacturer or have any connection with them.

Service kits are available to fit the following manufacturers / OEMs / brands

Original Brand	Page	Original Brand	Page
<u>Atlas Copco</u>	14	<u>Kaeser</u>	16
<u>BEKO</u>	14	<u>Mark</u>	17
<u>Boge</u>	14	<u>Omega</u>	17
<u>Bowman stor</u>	15	<u>Parker D/H</u>	17
<u>CompAir</u>	15	<u>Parker Zander</u>	17
<u>Denco</u>	15	<u>Sepura</u>	17
<u>Domnick Hunter</u>	15	<u>Ultrafilter</u>	18
<u>Donaldson</u>	15	<u>Ultrasep</u>	18
<u>Gardner Denver</u>	15	<u>Worthington</u>	18
<u>Hankison</u>	16	<u>Wortmann</u>	18
<u>Hiross</u>	16	<u>Zander</u>	19
<u>Hi-Line</u>	16		
<u>Ingersoll Rand</u>	16		
<u>Jorc</u>	16		

Other kits may be available upon request - please contact sales

Atlas Copco **to**

BEKO
OGE

Original brand	Original type	STERLING Part #	List Price
Atlas Copco	OSW 5 & 11	CS01 ST	£51.00
	OSW 30	CS 04 ST	£89.00
	OSW 55	CS 05R ST	£106.00
	OSW 110	CS 06 ST	£187.00
	OSW 315	CS 08 ST	£567.00
	OSC-35-A	CS35A	£83.00
	OSC-35-B	CS35B	£208.00
	OSC-35-D	CS35D	£134.00
	OSC-95-A	CS95A	£102.00
	OSC-95-B	CS95B	£253.00
	OSC-95-D	CS95D	£164.00
	OSC-145-A	CS145A	£208.00
	OSC-145-B	CS145B	£394.00
	OSC-145-D	CS145D	£245.00
	OSC-355-A	CS355A	£243.00
	OSC-355-B	CS355B	£584.00
	OSC-355-D	CS355D	£375.00
	OSC-600-A	CS600A	£311.00
	OSC-600-B	CS600B	£846.00
	OSC-600-D	CS600D	£594.00
	OSC-825-A	CS825A	£366.00
	OSC-825-B	CS825B	£978.00
	OSC-825-D	CS825D	£682.00
	OSC-1200-A	CS1200A	£385.00
	OSC-1200-B	CS1200B	£987.00
	OSC-1200-D	CS1200D	£889.00
	OSC-2400-A	CS2400A	£705.00
	OSC-2400-B	CS2400B	£1908.00
	OSC-2400-D	CS2400D	£1289.00

Original brand	Original type	STERLING Part #	List Price	
BEKO	OWAMAT 1 & 2	CS01 ST	£51.00	
	OWAMAT 10	CSO 10 ST	£77.00	
	OWAMAT 11	CSO 11 ST	£93.00	
	OWAMAT 3	CSKT 03 ST	£89.00	
	OWAMAT 4	CS 04 ST	£89.00	
	OWAMAT 5 (fabricated)	CS KT05 ST	£196.00	
	OWAMAT 5R (moulded)	CS 05R ST	£106.00	
	OWAMAT 6	CS 06 ST	£187.00	
	OWAMAT 8	CS 08 ST	£567.00	
	OWAMAT 20	CS KT O20 ST	£554.00	
	Boge	OWAMAT 1 & 2	CS01 ST	£51.00
		OWAMAT 3	CSKT 03 ST	£89.00
OWAMAT 4		CS 04 ST	£89.00	
OWAMAT 5 (fabricated)		CS KT05 ST	£196.00	
OWAMAT 5R (moulded)		CS 05R ST	£106.00	
OWAMAT 6		CS 06 ST	£187.00	
OWAMAT 8		CS 08 ST	£567.00	
OWAMAT 20		CS KT O20 ST	£554.00	
OKOMAT 5		CS U 5 SP ST	£61.00	
OKOMAT 10		CS U 10 SP ST	£61.00	
OKOMAT 15		CS U 15 SP ST	£72.00	
OKOMAT30		CS U 30 SP ST	£123.00	
OKOMAT 60		CS U 60 SP ST	£179.00	
OKOMAT 120		CS U 120 SP ST	£360.00	
OKOMAT 240		CS U 240 SP ST	£724.00	
CC 4		CS JMK ST	£121.00	
CC 8		CS JPK ST	£189.00	
CC 20		CS JMDK ST	£356.00	
CC 35	CS JGK ST	£407.00		
CC 70	CS JGE ST	£221.00		

Service kits for OWS

Bowman stor

to

Gardner Denver

Original brand	Original type	STERLING Part #	List Price
Bowman stor	Bi-sep 5	CS BS 5 ST	£295.00
	Bi-sep 20	CS BS 20 ST	£310.00
	Bi-sep 25	CS BS 25 ST	£370.00
	Tri-sep 50	CS BS 50 ST	£715.00
	Tri-sep 100	CS BS 100 ST	£790.00
	Tri-sep 150	CS BS 150 ST	£890.00
	Tri-sep 200	CS BS 200 ST	£1050.00
	Tri-sep 400	CS BS 400 ST	£1900.00
Compair	CS 2100	CSDH 2015 ST	£72.00
	CS 2150	CSDH 2015 ST	£72.00
	CS 2200	CSDH 2015 ST	£72.00
	CS 2300	CSDH 2015 ST	£72.00
	CS 2400	CSDH 2030 ST	£110.00
	CS 2500	CSDH ES500 ST	£157.00
	CS 2600	CSDH ES1000 ST	£298.00
	C SEP 020	CSEP020 is a throw-away unit. Replace with STERLING CS75	£108.00
	C SEP 035	CSJMKST	£118.00
	C SEP 050	CSJS 5 ST	£155.00
	C SEP 100	CSJS 10 ST	£220.00
	C SEP 200	CSJS 20 ST	£362.00
	C SEP 300	CSJS 30 ST	£420.00
Denco	CF 200 can	CS CF200	£89.00
	CF 1000 can	CS CF1000	£123.00

Original brand	Original type	STERLING Part #	List Price
Domnick Hunter	DH 2010	CSDH 2010 ST	£51.00
	DH 2015	CSDH 2015 ST	£72.00
	DH 2030	CSDH 2030 ST	£110.00
	KME 1010	CSDH 2010 ST	£51.00
	KME 1015	CSDH 2015 ST	£72.00
	KME 2030	CSDH 2030 ST	£110.00
Donaldson	DSO 070	CS U 5 SP ST	£61.00
	DSO 145	CS U 10 SP ST	£61.00
	DSO 265	CS U 15 SP ST	£72.00
	DSO 530	CS U 30 SP ST	£123.00
	DSO 1060	CS U 60 SP ST	£179.00
	DSO 2120	CS U 120 SP ST	£360.00
	DSO 4240	CS U 240 SP ST	£724.00
	UFS-SP 10 N	CS U10SP N	£70.00
	UFS-SP 15N	CS U15SP N	£84.00
	UFS-SP 30 N	CS U30SP N	£144.00
	UFS-SP 60 N	CS U60SP N	£199.00
	UFS-SP 120 N	CS U120SP N	£390.00
	UFS-SP 240 N	CS U240SP N	£780.00
Gardner Denver	GDW 5	CS U 5 SP ST	£61.00
	GDW 10	CS U 10 SP ST	£61.00
	GDW 15	CS U 15 SP ST	£72.00
	GDW 30	CS U 30 SP ST	£123.00
	GDW 60	CS U 60 SP ST	£179.00

Hankison

to

Kaeser

Original brand	Original type	STERLING Part #	List Price
Hankison	HS 60	CS HSMK 1 ST	£115.00
	HS 70	CS HSMK 1 ST	£115.00
	HS 120	CS HSMK 1 ST	£115.00
	HS 140	CS HSMK 2 ST	£132.00
	HS 180	CS HSMK 2 ST	£132.00
	HS 240	CS HSMK 2 ST	£132.00
	HS 300	CS HSMK 2 ST	£132.00
	HS 480	CS HSMK 2 ST	£132.00
	HS 900	CS HSMK 3 ST	£132.00
	HS 1800	CS HSMK 4 ST	£189.00
	HS3600	CS HSMK 5 ST	£330.00
Hiross	OWS 001	CSDH 2015 ST	£72.00
	OWS 060	CSDH 2015 ST	£72.00
	OWS 075	CSDH 2015 ST	£72.00
	OWS 125	CSDH 2015 ST	£72.00
	OWS 165	CSDH 2030 ST	£110.00
	OWS 355	CSDH ES500 ST	£157.00
	OWS 485	CSDH ES1000 ST	£298.00
Hi-Line	Consep 100	CSCONSEP100	£130.00
	Consep 300	CSCONSEP300	£198.00
	Consep 750	CSCONSEP750	£304.00
Ingersoll Rand	Envirosep	CSDH 2010 ST	£51.00
	ECS 6	CSDH 2015 ST	£72.00
	ECS 12	CSDH 2015 ST	£72.00
	ECS 18	CSDH 2015 ST	£72.00
	ECS 24	CSDH 2015 ST	£72.00
	ECS 30	CSDH 2030 ST	£110.00
	ECS 36	CSDH ES500 ST	£157.00
	ECS 42	CSDH ES1000 ST	£298.00

Original brand	Original type	STERLING Part #	List Price
Jorc	Enviro	CS ENV ST	£55.00
	Mini (white bag)	CS JMW	£57.00
	Mini (carbon)	CS JMC ST	£66.00
	Mini full kit	CS JMK ST	£121.00
	Puro (white bag)	CS JPW ST	£123.00
	Puro (carbon)	CS JPC ST	£74.00
	Puro full kit	CS JPK ST	£189.00
	Midi (white bag)	CS JMDW	£155.00
	Midi (carbon)	CS JMDC ST	£206.00
	Midi full kit	CS JMDK ST	£356.00
	Grand (white bag)	CS JGW	£187.00
	Grand (carbon)	CS JGC ST	£221.00
	Grand full kit	CS JGK ST	£407.00
	Grand Extender	CS JGE ST	£221.00
	Sepremium 5	CS JS 5 ST	£159.00
	Sepremium 10	CS JS 10 ST	£223.00
	Sepremium 20	CS JS 20 ST	£362.00
	Sepremium 30	CS JS 30 ST	£424.00
	Puro CT 3	CS JPCT 3	£86.00
Puro CT 7	CS JPCT 7	£115.00	
Puro CT 15	CS JPCT 15	£173.00	
Kaeser	AQUAMAT 1 & 2	CS01 ST	£51.00
	AQUAMAT 3	CSKT 03 ST	£89.00
	AQUAMAT 4	CS 04 ST	£89.00
	AQUAMAT 5 (fabricated)	CS KT05 ST	£196.00
	AQUAMAT 5R (moulded)	CS 05R ST	£106.00
	AQUAMAT 6	CS 06 ST	£187.00
	AQUAMAT 8	CS 08 ST	£567.00
	AQUAMAT 20	CS KT 020 ST	£554.00

Service kits for OWS

STERLING
separation

Mark

to

Sepura

Original brand	Original type	STERLING Part #	List Price
Mark	FOD 21-A	CS35A	£83.00
	FOD 21-B	CS35B	£208.00
	FOD 21-D	CS35D	£134.00
	FOD 57-A	CS95A	£102.00
	FOD 57-B	CS95B	£253.00
	FOD 57-D	CS95D	£164.00
	FOD 87-A	CS145A	£208.00
	FOD 87-B	CS145B	£394.00
	FOD 87-D	CS145D	£245.00
	FOD 213-A	CS355A	£243.00
	FOD 213-B	CS355B	£584.00
	FOD 213-D	CS355D	£375.00
	FOD 360-A	CS600A	£311.00
	FOD 360-B	CS600B	£846.00
	FOD 360-D	CS600D	£594.00
	FOD 495-A	CS825A	£366.00
	FOD 495-B	CS825B	£978.00
	FOD 495-D	CS825D	£682.00
	FOD 708-A	CS1200A	£385.00
	FOD 708-B	CS1200B	£987.00
FOD 708-D	CS1200D	£889.00	
FOD 1418-A	CS2400A	£705.00	
FOD 1418-B	CS2400B	£1908.00	
FOD 1418-D	CS2400D	£1289.00	
Omega	WOS 4	CS WOS 4	£80.00
	WOS 8	CS WOS 8	£142.00
	WOS 20	CS WOS 20	£184.00
	WOS 35	CS WOS 35	£287.00

Original brand	Original type	STERLING Part #	List Price	
Parker D/H	ES 2100	CSDH 2015 ST	£72.00	
	ES 2150	CSDH 2015 ST	£72.00	
	ES 2200	CSDH 2015 ST	£72.00	
	ES 2300	CSDH 2015 ST	£72.00	
	ES 2400	CSDH 2030 ST	£110.00	
	ES 2500	CSDH ES500 ST	£157.00	
	ES 2600	CSDH ES1000 ST	£298.00	
	ESMK 1	CSDH 2010 ST	£51.00	
	ESMK 2	CSDH 2015 ST	£72.00	
	ESMK 3	CSDH ES500 ST	£157.00	
	Parker Zander	ES 36	CSDH 2015 ST	£72.00
		ES 90	CSDH 2015 ST	£72.00
ES 125		CSDH 2015 ST	£72.00	
ES 250		CSDH 2030 ST	£110.00	
ES 500		CSDH ES500 ST	£157.00	
ES 1000		CSDH ES1000 ST	£298.00	
Sepura	Sep 100	120KIT-ALT	£135.00	
	Sep 300	360KIT-ALT	£215.00	
	Sep 750	900KIT-ALT	£340.00	
	Sep 1500	1800KIT-ALT	£680.00	
	Sep 120 ST	120KIT-ALT	£135.00	
	Sep 360 ST	360KIT-ALT	£215.00	
	Sep 900 ST	900KIT-ALT	£340.00	
	Sep 1250 ST	1250KIT-ALT	£530.00	
	Sep 1800 ST	1800KIT-ALT	£680.00	
	Sep 2500 ST	2500KIT-ALT	£1060.00	
Sep 3500 ST	CS100-IBCK	£3350.00		
Sep 7000 ST	CS200-IBCK	£4995.00		

Ultrafilter **to** **W**ortman

Original brand	Original type	STERLING Part #	List Price
Ultrafilter / Ultrasep	UFS 5 SP	CS U 5 SP ST	£61.00
	UFS 7.5 SP	CS U 7.5 SP ST	£61.00
	UFS 10 SP	CS U 10 SP ST	£61.00
	UFS 15 SP	CS U 15 SP ST	£72.00
	UFS 30 SP	CS U 30 SP ST	£123.00
	UFS 60 SP	CS U 60 SP ST	£179.00
	UFS 120 SP	CS U 120 SP ST	£360.00
	UFS 240 SP	CS U 240 SP ST	£724.00
	UFS-SP 10 N	CS U10SP N	£70.00
	UFS-SP 15 N	CS U15SP N	£84.00
	UFS-SP 30 N	CS U30SP N	£144.00
	UFS-SP 60 N	CS U60SP N	£199.00
	UFS-SP 120 N	CS U120SP N	£390.00
	UFS-SP 240 N	CS U240SP N	£780.00
	UFS 7.5 P	CS U 7.5 P ST	£59.00
	UFS 15 P	CS U 15 P ST	£70.00
	UFS 30 P	CS U 30 P ST	£115.00
	UFS 60 P	CS U 60 P ST	£176.00
	UFS 120 P	CS U 120 P ST	£349.00
	UFS 240 P	CS U 240 P ST	£695.00
	A-SP 5	CS U 5 SP ST	£61.00
	A-SP 7.5	CS U 7.5 SP ST	£61.00
	A-SP 10	CS U 10 SP ST	£61.00
	A-SP 15	CS U 15 SP ST	£72.00
	A-SP 30	CS U 30 SP ST	£123.00
	A-SP 60	CS U 60 SP ST	£179.00
	A-SP 120	CS U 120 SP ST	£360.00
	A-SP 240	CS U 240 SP ST	£724.00
	A-P 7.5	CS U 7.5 P ST	£59.00
	A-P 15	CS U 15 P ST	£70.00
	A-P 30	CS U 30 P ST	£115.00
	A-P 60	CS U 60 P ST	£176.00
	A-P 120	CS U 120 P ST	£349.00
	A-P 240	CS U 240 P ST	£695.00

Original brand	Original type	STERLING Part #	List Price
Worthington	S 13-A	CS35A	£83.00
	S 13-B	CS35B	£208.00
	S 13-D	CS35D	£134.00
	S 34-A	CS95A	£102.00
	S 34-B	CS95B	£253.00
	S 34-D	CS95D	£164.00
	S 52-A	CS145A	£208.00
	S 52-B	CS145B	£394.00
	S 52-D	CS145D	£245.00
	S 128-A	CS355A	£243.00
	S 128-B	CS355B	£584.00
	S 128-D	CS355D	£375.00
	S 218-A	CS600A	£311.00
	S 218-B	CS600B	£846.00
	S 218-D	CS600D	£594.00
	S 297-A	CS825A	£366.00
	S 297-B	CS825B	£978.00
	S 297-D	CS825D	£682.00
	S 425-A	CS1200A	£385.00
	S 425-B	CS1200B	£987.00
	S 425-D	CS1200D	£889.00
	S 850-A	CS2400A	£705.00
	S 850-B	CS2400B	£1908.00
	S 850-D	CS2400D	£1289.00
Wortman	Drukomat 1	CS WS 1 ST	£70.00
	Drukomat 2	CS WS 2 ST	£78.00
	Drukomat 4	CS WS 4 ST	£78.00
	Drukomat 8	CS WS 8 ST	£78.00
	Drukomat 15	CS WS 15 ST	£78.00
	Drukomat 30	CS WS 30 ST	£144.00
	Drukomat 60	CS WS 60 ST	£289.00
	Air filter	Airfilter	£42.00
	Drukosep 1	CSDKS1	£63.00
	Drukosep 2	CSDKS2	£70.00
	Drukosep 3	CSDKS3	£76.00
	Drukosep 6	CSDKS6	£106.00
	Drukosep 8	CSDKS8	£124.00
	Drukosep 10	CSDKS10	£132.00
	Drukosep 12	CSDKS12	£144.00
	Drukosep 25	CSDKS25	£245.00
Drukosep 40	CSDKS40	£368.00	
Air filter	CSDKSAF	£44.00	

Zander

Original brand	Original type	STERLING Part #	List Price
Zander	SL 1	CSDH 2015 ST	£72.00
	SL 2	CSDH 2015 ST	£72.00
	SL 5	CSDH 2015 ST	£72.00
	SL 8	CSDH 2015 ST	£72.00
	SL 15	CSDH 2030 ST	£110.00
	SL 30	CSDH ES500 ST	£157.00
	SL 60	CSDH ES1000 ST	£298.00
	SL 100	CSDH 2015 ST	£72.00
	SL 150	CSDH 2015 ST	£72.00
	SL 200	CSDH 2015 ST	£72.00
	SL 300	CSDH 2015 ST	£72.00
	SL 400	CSDH 2030 ST	£110.00
	SL 500	CSDH ES500 ST	£157.00
	SL 600	CSDH ES1000 ST	£298.00
	Ecosep S1	CS WS 1 ST	£70.00
	Ecosep S2	CS WS 2 ST	£78.00
	Ecosep S4	CS WS 4 ST	£78.00
	Ecosep S8	CS WS 8 ST	£78.00
	Ecosep S15	CS WS 15 ST	£78.00
	Ecosep S30	CS WS 30 ST	£144.00
	Ecosep S60	CS WS 60 ST	£289.00
	Air filter	Airfilter	£42.00
	WT1 / WT10	CS WT1/WT10 ST	£76.00
	WT2	CS WT2 ST	£115.00
	WT3	CS WT3 ST	£270.00
	WT20	CS WT20 ST	£153.00
	WT30	CS WT30 ST	£300.00
Airbag	Airbag	£42.00	



Filter Housings and Elements

STERLING filtration products are designed and manufactured to the highest standards.

They are rated according to

ISO8573-1 and are validated according to ISO12500-1 & ISO12500-3.

See specimen data sheet on our website or contact us for further details.

Important Notice

The use of brand names and manufacturers names in this compatibility list is not intended to state or imply that the company sources this product from those companies, nor does it seek to imply that we supply original equipment to them. Such names are included here simply to identify the products for which we offer an alternative.

For next-working-day delivery on most items....

EMAIL - sales@sterlingsep.com

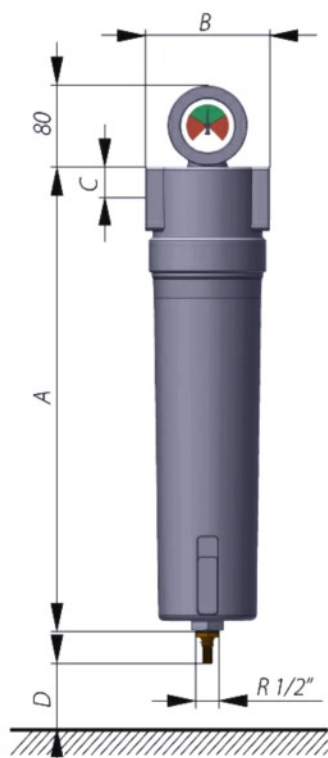
FAX - 01543 578202

CALL - 01543 502010

Compressed air Filtration

Complete filters for compressed air treatment, aluminium, 16 bar

Housing number	Pipe Size inch	Flow Rate m3min/cfm	Dimension (mm)				Weight Kg	Cartridge type	Price (inc drain & cartridge)
			A	B	C	D			
CSH 0035	3/8"	1 / 35	187	88	20	60	0.7	CS 0056 P, R, S or A	£122.00
CSH 0050	1/2"	1.3 / 50	187	88	20	60	0.7	CS 0076 P, R, S or A	£138.00
CSH 0075	3/4"	2 / 75	257	88	20	80	0.8	CS 0106 P, R, S or A	£153.00
CSH 0120	1"	3.3 / 120	263	125	32	100	1.8	CS 0186 P, R, S or A	£200.00
CSH 0200	1"	5.6 / 200	363	125	32	120	2.5	CS 0306 P, R, S or A	£227.00
CSH 0300	1 1/2"	8.5 / 300	461	125	32	140	2.5	CS 0476 P, R, S or A	£285.00
CSH 0460	1 1/2"	13 / 460	640	125	32	160	3.2	CS 0706 P, R, S or A	£353.00
CSH 0600	2"	16.7 / 600	684	163	43	520	5.1	CS 0946 P, R, S or A	£546.00
CSH 0900	2"	25 / 900	935	163	43	770	7.1	CS 1506 P, R, S or A	£660.00
CSH 1000	2 1/2"	28 / 1000	935	163	43	770	6.9	CS 1506 P, R, S or A	£890.00
CSH 1290	3"	36 / 1290	795	240	59	630	12.9	CS 2006 P, R, S or A	£950.00
CSH 1640	3"	46 / 1640	1000	240	59	780	14	CS 2406 P, R, S or A	£1,400.00



Filtration Grades 'P' = 3.0µ
'R' = 1.0µ
'S' = 0.01µ
'A' = Activated carbon

filter options/spares (to fit all STERLING housings)

Ref	Description	Price
MCD	Manual condensate drain, typically fitted with carbon cartridges	£13.00
EMD12	Electronic zero-loss condensate drain with local alarm	£128.00
EMD12A	Electronic zero-loss condensate drain with local & remote alarm	£145.00
AOK16B	Internal float operated condensate drain	£34.00
PDI 16	Button type differential pressure indicator	£22.00
MDM 60	Analog differential pressure gauge	£52.00

Flow Rate correction factors - CSH Housings

Operating pressure (bar)	2	3	4	5	6	7	8	9	10	11	12	13	14	15	16
Operating pressure (psi)	29	44	58	72	87	100	115	130	145	160	174	189	203	218	232
Correction factor	0.38	0.52	0.63	0.79	0.88	1	1.13	1.26	1.38	1.52	1.65	1.76	1.87	2	2.14



Elements for STERLING filters

Element	To fit housing	Grade				Price
		3.0μ	1.0μ	0.01μ	Activated carbon	
CS 0056	CSH0035	P'	R'	S'	A'	£22.66
CS 0076	CSH0050	P'	R'	S'	A'	£26.78
CS 0106	CSH0075	P'	R'	S'	A'	£35.02
CS 0186	CSH0120	P'	R'	S'	A'	£43.26
CS 0306	CSH0200	P'	R'	S'	A'	£61.80
CS 0476	CSH0300	P'	R'	S'	A'	£72.10
CS 0706	CSH0460	P'	R'	S'	A'	£90.64
CS 0946	CSH0600	P'	R'	S'	A'	£129.78
CS 1506	CSH0900	P'	R'	S'	A'	£158.62
CS 1506	CSH1000	P'	R'	S'	A'	£158.62
CS 2006	CSH1290	P'	R'	S'	A'	£198.00
CS 2406	CSH1640	P'	R'	S'	A'	£237.00

	3.0μ	1.0μ	0.01μ	0
Solid particle removal: down to				
Quality class: solids (ISO 8573-1)	3	2	1	-
Residual oil content (mg/m ³ / ppm)	-	-	0.01 / 0.01	0.005 / 0.005
Quality class - oils (ISO 8573-1)	-	-	1	1
Pressure drop - new element (mbar - psi)	40 / 0.58	<50 / 0.72	<120 / 1.74	<90 / 1.3
Change element at pressure drop (m/bar / psi)	600 / 8.7	600 / 8.7	600 / 8.7	*6 months
Material	Acrylic / cellulose	Acrylic / cellulose	Borosilicate microfibres	Active carbon
Operating temperature range °C	1.5C to 65C			

*Carbon elements should not operate in oil-saturated conditions and should be changed at least 6 monthly



Cyclone condensate separators

- aluminium housing, 16 bar

Model	Pipe Size	Flow Rate m3min/cfm	Included items	Price
CKL005B	3/8"	1 / 35	AOK16B integral float drain and CKL xxx cyclone element are included in all models	£138.00
CKL007B	1/2"	1.3 / 50		£152.00
CKL010B	3/4"	2 / 75		£173.00
CKL018B	1"	3.3 / 120		£222.00
CKL047B	1 1/2"	5.6 / 200		£276.00
CKL094B	2"	8.5 / 300		£533.00
CKL150B	2 1/2"	13 / 460		£605.00
CKL200B	3"	16.7 / 600		£1,215.00



Cyclone element number	Element Price
CKL06050	£29.00
CKL07050	£31.00
CKL14050	£38.00
CKL12075	£46.00
CKL32075	£55.00
CKL51090	£117.00
CKL76090	£117.00
CKL51140	£253.00

Alternative filter elements

STERLING[®]
separation



Please note: All of the following listed service kits are aftermarket compatibles rather than manufacturers' originals, although certain specific items will be sourced from the same factory.

The specification listed for our STERLING range of filters and elements can be taken as indicative of those applicable to our high quality alternative elements

As with other 3rd party products in this book we do not imply that we supply to or purchase from the original manufacturer nor have any connection with them. All brand names shown in this price list are provided only for the purposes of identification

Elements are available to fit the following manufacturers / OEMs / brands

Original Brand	Page	Original Brand	Page
<u>Air Filter Engineering (AFE)</u>	24	<u>Mark/Ceccato</u>	32
<u>Atlas Copco \pm - Current</u>	24	<u>MTA</u>	33
<u>Atlas Copco pre c2013</u>	25	<u>Omega</u>	33
<u>Atlas Copco pre c2000</u>	25	<u>OMI</u>	33
<u>ABAC - pre c2013 & current</u>	26	<u>Puska</u>	34
<u>Alup - current</u>	26	<u>Pneumatech</u>	34
<u>BEKO Clearpoint</u>	27	<u>Sullair</u>	34
<u>Boge current & Boge 'F' range</u>	27	<u>Ultrafilter/Donaldson 90 ser</u>	35
<u>CompAir Broomwade pre 1995</u>	28	<u>Walker (Al end caps)</u>	35
<u>CompAir Hydrovane pre 1995</u>	28	<u>Worthington pre c2013</u>	35
<u>CompAir current 'CF' & 'X' range</u>	28	<u>Worthington - current</u>	36
<u>CompAir pre 'CF' & 'X' range</u>	29	<u>Zander</u>	36
<u>CP</u>	29		
<u>Domnick Hunter pre 1995</u>	29		
<u>Domnick Hunter Evolution</u>	30	<u>Float drains for filter housings</u>	36
<u>Hankison (Al end caps)</u>	30		
<u>Hiross</u>	30		
<u>Hi Line Industries</u>	31	<u>BCAS condensate disposal</u>	37
<u>HPC pre 2005</u>	31	<u>Company & bank details</u>	38
<u>Ingersoll Rand</u>	31		
<u>Kaeser (Al end caps)</u>	32		

Air filter engineering

STERLING

Housing	Element 3µ	Element 0.01µ ²	Element (Carbon)	3µ/0.01µ/carbon	List Price
G0010	EA10 P	EA10 H	EA10 C	CS 1030 V/X/A	£17.00
G0015	EA15 P	EA15 H	EA15 C	CS 1050 V/X/A	£19.00
G0020	EA20 P	EA20 H	EA20 C	CS 1070 V/X/A	£24.00
G0030	EA30 P	EA30 H	EA30 C	CS 1140 V/X/A	£30.00
G0055	EA55 P	EA55 H	EA55 C	CS 2010 V/X/A	£39.00
G0095	EA95 P	EA95 H	EA95 C	CS 2020 V/X/A	£51.00
G0150	EA150 P	EA150 H	EA150 C	CS 2030 V/X/A	£66.00
G0220	EA220 P	EA220 H	EA220 C	CS 2050 V/X/A	£78.00
G0290	EA290 P	EA290 H	EA290 C	CS 3050 V/X/A	£108.00
G0430	EA430 P	EA430 H	EA430 C	CS 3075 V/X/A	£132.00
G0625	EA625 P	EA625 H	EA625 C	CS 5060 V/X/A	£194.00
G0775	EA775 P	EA775 H	EA775 C	CS 5075 V/X/A	£204.00

Atlas Copco + (Current)

STERLING

Housing	Element 1µ	Element 0.01µ ²	Element (Carbon)	1µ/0.01µ/carbon	List Price
10+	10+ (DD)	10+ (PD)	10+ (QD)	CSAM0045 R/S/A	£28.00
20+	20+ (DD)	20+ (PD)	20+ (QD)	CSAM0090 R/S/A	£31.00
35+	35+ (DD)	35+ (PD)	35+ (QD)	CSAM0125 R/S/A	£33.00
50+	50+ (DD)	50+ (PD)	50+ (QD)	CSAM0180 R/S/A	£39.00
70+	70+ (DD)	70+ (PD)	70+ (QD)	CSAM0290 R/S/A	£54.00
100+	100+ (DD)	100+ (PD)	100+ (QD)	CSAM0505 R/S/A	£70.00
130+	130+ (DD)	130+ (PD)	130+ (QD)	CSAM0685 R/S/A	£79.00
170+	170+ (DD)	170+ (PD)	170+ (QD)	CSAM0935 R/S/A	£99.00
210+	210+ (DD)	210+ (PD)	210+ (QD)	CSAM1295 R/S/A	£148.00
425+	425+ (DD)	425+ (PD)	425+ (QD)	CSAM1890 R/S/A	£165.00
550+	550+ (DD)	550+ (PD)	550+ (QD)	CSAM2430 R/S/A	£199.00

Atlas Copco (pre c2013)

STERLING

Housing	Element 1μ	Element 0.01μ ²	Element (Carbon)	1μ/0.01μ/carbon	List Price
9	2901 0520-00 (DD)	2901 0521-00 (PD)	2901 0614-00 (QD)	CSA009 AO/AA/ACS	£26.00
17	2901 0613-00 (DD)	2901 0524-00 (PD)	2901 0525-00 (QD)	CSA017 AO/AA/ACS	£29.00
32	2901 0526-00 (DD)	2901 0527-00 (PD)	2901 0528-00 (QD)	CSA032 AO/AA/ACS	£31.00
44	2901 0529-00 (DD)	2901 0530-00 (PD)	2901 0531-00 (QD)	CSA044 AO/AA/ACS	£37.00
60	2901 0532-00 (DD)	2901 0533-00 (PD)	2901 0534-00 (QD)	CSA060 AO/AA/ACS	£51.00
120	2901 0535-00 (DD)	2901 0536-00 (PD)	2901 0537-00 (QD)	CSA120 AO/AA/ACS	£66.00
150	2901 0538-00 (DD)	2901 0539-00 (PD)	2901 0540-00 (QD)	CSA150 AO/AA/ACS	£74.00
175	2901 0541-00 (DD)	2901 0542-00 (PD)	2901 0543-00 (QD)	CSA175 AO/AA/ACS	£93.00
260/280	2901 0544-00 (DD)	2901 0545-00 (PD)	2901 0546-00 (QD)	CSA260 AO/AA/ACS	£140.00
390	2906 7000-00 (DD)	2906 7001-00 (PD)	2906 7002-00 (QD)	CSA390 AO/AA/ACS	£157.00
520	2906 7003-00 (DD)	2906 7004-00 (PD)	2906 7005-00 (QD)	CSA520 AO/AA/ACS	£189.00
780	2906 7006-00 (DD)	2906 7007-00 (PD)	2906 7008-00 (QD)	CSA520 AO/AA/ACS	£258.00

Atlas Copco (pre c2000)

STERLING

Housing	Element 1μ	Element 0.01μ ²	Element (Carbon)	1μ/0.01μ/carbon	List Price
6	1202 6255-02 (DD)	1202 6255-03 (PD)	1202 6264-00 (QD)	CS009 AO/AA/ACS	£18.00
13	1202 6257-02 (DD)	1202 6257-01 (PD)	1202 6281-01 (QD)	CS017 AO/AA/ACS	£26.00
25	1202 6257-04 (DD)	1202 6257-03 (PD)	1202 6268-01 (QD)	CS030 AO/AA/ACS	£31.00
40	1202 6259-02 (DD)	1202 6259-01 (PD)	1202 6281-02 (QD)	CS058 AO/AA/ACS	£42.00
13/17	1202 6259-04 (DD)	1202 6259-03 (PD)	1202 6268-02 (QD)	CS145 AO/AA/ACS	£56.00
170/195	1202 6262-02 (DD)	1202 6262-01 (PD)	1202 6263-01 (QD)	CS220 AO/AA/ACS	£74.00
295	1202 6262-04 (DD)	1202 6262-03 (PD)	1202 6263-02 (QD)	CS330 AO/AA/ACS	£108.00
375/400	1202 8573-02 (DD)	1202 8573-01 (PD)	1202 8572-00 (QD)	CS430 AO/AA/ACS	£144.00
500	1202 6273-02 (DD)	1202 6273-01 (PD)	1202 6274-00 (QD)	CS620 AO/AA/ACS	£196.00

Alternative filter elements

ABAC (Current)

STERLING

Housing	Element 1μ	Element 0.01μ	Element (Carbon)	1μ/0.01μ/carbon	List Price
FILTER 45	45 P	45 C	45 V	CSAM0045 R/S/A	£28.00
FILTER 90	90 P	90 C	90 V	CSAM0090 R/S/A	£31.00
FILTER 125	125 P	125 C	125 V	CSAM0125 R/S/A	£33.00
FILTER 180	180 P	180 C	180 V	CSAM0180 R/S/A	£39.00
FILTER 290	290 P	290 C	290 V	CSAM0290 R/S/A	£54.00
FILTER 505	505 P	505 C	505 V	CSAM0505 R/S/A	£70.00
FILTER 685	685 P	685 C	685 V	CSAM0685 R/S/A	£79.00
FILTER 935	935 P	935 C	935 V	CSAM0935 R/S/A	£99.00
FILTER 1295	1295 P	1295 C	1295 V	CSAM1295 R/S/A	£148.00
FILTER 1890	1890 P	1890 C	1890 V	CSAM1890 R/S/A	£165.00
FILTER 2430	2430 P	2430 C	2430 V	CSAM2430 R/S/A	£199.00

ABAC (pre c2013)

STERLING

Housing	Element 3μ	Element 1μ	Element 0.01μ	Element (Carbon)	3μ/1μ/0.01μ/carbon	List Price
A 60	QF/C60	PF/C60	HF/C60	CF C60	CS 005 (P/R/S/A)	£19.00
A 80	QF/C80	PF/C80	HF/C80	CF C80	CS 007 (P/R/S/A)	£23.00
A 120	QF/C120	PF/C120	HF/C120	CF C120	CS 010 (P/R/S/A)	£29.00
A 200	QF/C200	PF/C200	HF/C200	CF C200	CS 018 (P/R/S/A)	£36.00
A 340	QF/C340	PF/C340	HF/C340	CF C340	CS 030 (P/R/S/A)	£51.00
A 510	QF/C510	PF/C510	HF/C510	CF C510	CS 047 (P/R/S/A)	£59.00
A 800	QF/C800	PF/C800	HF/C800	CF C800	CS 070 (P/R/S/A)	£76.00
A 1000	QF/C1000	PF/C1000	HF/C1000	CF C1000	CS 094 (P/R/S/A)	£106.00
A 1500	QF/C1500	PF/C1500	HF/C1500	CF C1500	CS 150 (P/R/S/A)	£132.00
A 2400	QF/C2400	PF/C2400	HF/C2400	CF C2400	CS 240 (P/R/S/A)	£181.00

Alup (Current)

STERLING

Housing	Element 1μ	Element 0.01μ	Element (Carbon)	1μ/0.01μ/carbon	List Price
FILTER 45	45 P	45 C	45 V	CSAM0045 R/S/A	£28.00
FILTER 90	90 P	90 C	90 V	CSAM0090 R/S/A	£31.00
FILTER 125	125 P	125 C	125 V	CSAM0125 R/S/A	£33.00
FILTER 180	180 P	180 C	180 V	CSAM0180 R/S/A	£39.00
FILTER 290	290 P	290 C	290 V	CSAM0290 R/S/A	£54.00
FILTER 505	505 P	505 C	505 V	CSAM0505 R/S/A	£70.00
FILTER 685	685 P	685 C	685 V	CSAM0685 R/S/A	£79.00
FILTER 935	935 P	935 C	935 V	CSAM0935 R/S/A	£99.00
FILTER 1295	1295 P	1295 C	1295 V	CSAM1295 R/S/A	£148.00
FILTER 1890	1890 P	1890 C	1890 V	CSAM1890 R/S/A	£165.00
FILTER 2430	2430 P	2430 C	2430 V	CSAM2430 R/S/A	£199.00

B_{EKO} clearpoint

STERLING

Housing	Element 5μ	Element 1μ	Element 0.01μ	Element (Carbon)	5μ/1μ/0.01μ/carbon	List Price
S040	04 G	04 F	04 S	04 A	CSBK04 (P/M/S/A)	£38.00
S050	05 G	05 F	05 S	05 A	CSBK05 (P/M/S/A)	£42.00
S055	06 G	06 F	06 S	06 A	CSBK06 (P/M/S/A)	£46.00
S075	07 G	07 F	07 S	07 A	CSBK07 (P/M/S/A)	£53.00
M010	10 G	10 F	10 S	10 A	CSBK10 (P/M/S/A)	£59.00
M012	12 G	12 F	12 S	12 A	CSBK12 (P/M/S/A)	£61.00
M015	15 G	15 F	15 S	15 A	CSBK15 (P/M/S/A)	£85.00
M018	18 G	18 F	18 S	18 A	CSBK18 (P/M/S/A)	£95.00
M020	20 G	20 F	20 S	20 A	CSBK20 (P/M/S/A)	£98.00
M022	22 G	22 F	22 S	22 A	CSBK22 (P/M/S/A)	£127.00
M023	23 G	23 F	23 S	23 A	CSBK23 (P/M/S/A)	£157.00
M025	25 G	25 F	25 S	25 A	CSBK25 (P/M/S/A)	£208.00
M027	27 G	27 F	27 S	27 A	CSBK27 (P/M/S/A)	£223.00
M030	30 G	30 F	30 S	30 A	CSBK30 (P/M/S/A)	£304.00
M032	32 G	32 F	32 S	32 A	CSBK32 (P/M/S/A)	£345.00

B_{oge} (current 'F' range)

STERLING

Housing	Element 1μ	Element 0.01μ	Element (Carbon)	1μ/0.01μ/carbon	List Price
F6	F6 P	F6 M	F6 A	CSEV 010 (AO/AA/AC)	£27.00
F12	F12 P	F12 M	F12 A	CSEV 015 (AO/AA/AC)	£36.00
F18	F18 P	F18 M	F18 A	CSEV 020 (AO/AA/AC)	£42.00
F36	F36 P	F36 M	F36 A	CSEV 025 (AO/AA/AC)	£51.00
F65	F65 P	F65 M	F65 A	CSEV 030 (AO/AA/AC)	£61.00
F95	F95 P	F95 M	F95 A	CSEV 035 (AO/AA/AC)	£81.00
F130	F130 P	F130 M	F130 A	CSEV 040 (AO/AA/AC)	£95.00
F190	F190 P	F190 M	F190 A	CSEV 045 (AO/AA/AC)	£117.00
F260	F260 P	F260 M	F260 A	CSEV 050 (AO/AA/AC)	£127.00
F380	F380 P	F380 M	F380 A	CSEV 055 (AO/AA/AC)	£191.00

B_{oge} (older, pre 'F' range)

STERLING

Check the height of old elements against this list before ordering. If there is a variance we can supply correct version

Housing	STERLING Element height	Element 3μ	Element 0.01μ	Element (Carbon)	3μ/0.01μ/carbon	List Price
5	53 mm	5 V	5 FP	5 A	CS1030 (V/Z/X/A)	£17.00
10	59 mm	10 V	10 FP	10 A	CS1050 (V/Z/X/A)	£19.00
12	75 mm	12 V	12 FP	12 A	CS1070 (V/Z/X/A)	£24.00
20	144 mm	20 V	20 FP	20 A	CS1140 (V/Z/X/A)	£30.00
30	118 mm	30 V	30 FP	30 A	CS2010 (V/Z/X/A)	£39.00
50	218 mm	50 V	50 FP	50 A	CS2020 (V/Z/X/A)	£51.00
80	318 mm	80 V	80 FP	80 A	CS2030 (V/Z/X/A)	£66.00
120	508 mm	120 V	120 FP	120 A	CS2050 (V/Z/X/A)	£78.00
160	504 mm	160 V	160 FP	160 A	CS3050 (V/Z/X/A)	£108.00
250	760 mm	250 V	250 FP	250 A	CS3075 (V/Z/X/A)	£132.00

CompAir Broomwade (pre 1995)

STERLING

Housing	Element GPP 1µ	Element OFFP 0.01µ	Element (Carbon)	1µ/0.01µ/carbon	List Price
6A	98245 121	98245 141	98245 161	CS009 PF/AO/AA/ACS	£18.00
13A	98245 122	98245 142	98245 162	CS017 PF/AO/AA/ACS	£26.00
25A	98245 123	98245 143	98245 163	CS030 PF/AO/AA/ACS	£31.00
40A	98245 125	98245 145	98245 165	CS058 PF/AO/AA/ACS	£42.00
65A/85A	98245 126	98245 146	98245 166	CS145 PF/AO/AA/ACS	£56.00
170A/195A	98245 127	98245 147	98245 167	CS220 PF/AO/AA/ACS	£74.00
295A	98245 128	98245 148	98245 168	CS330 PF/AO/AA/ACS	£108.00
375A/400A	98245 129	98245 149	98245 169	CS430 PF/AO/AA/ACS	£144.00
500A	98245 130	98245 150	98245 170	CS620 PF/AO/AA/ACS	£196.00

CompAir Hydrovane (pre 1995)

STERLING

Housing	Element 1µ	Element 0.01µ	Element (Carbon)	1µ/0.01µ/carbon	List Price
100	GP 100 E	HE 100 E	OR 100 E	CS009 PF/AO/AA/ACS	£18.00
150	GP 150 E	HE 150 E	OR 150 E	CS017 PF/AO/AA/ACS	£26.00
200	GP 200 E	HE 200 E	OR 200 E	CS030 PF/AO/AA/ACS	£31.00
250	GP 250 E	HE 250 E	OR 250 E	CS058 PF/AO/AA/ACS	£42.00
300/350	GP 300E/ GP 350E	HE 300E/ HE 350E	OR 300E/OR 350E	CS145 PF/AO/AA/ACS	£56.00
375/400	GP 375E/ GP 400E	HE 375E/ HE 400E	OR 375E/OR 400E	CS220 PF/AO/AA/ACS	£74.00
450/500	GP 450E/ GP 500E	HE 450E/ HE 500E	OR 450E/OR 500E	CS330 PF/AO/AA/ACS	£108.00
520/530	GP 520E/ GP 530E	HE 520E/ HE 530E	OR 520E/OR 530E	CS430 PF/AO/AA/ACS	£144.00
600	GP 600 E	HE 600 E	OR 600 E	CS620 PF/AO/AA/ACS	£196.00

CompAir (current 'CF & 'X' ranges)

STERLING

Housing	Element 1µ	Element 0.01µ	Element (Carbon)	1µ/0.01µ/carbon	List Price
CE0006N	010 AO	010 AA	010 AC	CSEV 010 (AO/AA/AC)	£27.00
CE012N	015 AO	015 AA	015 AC	CSEV 015 (AO/AA/AC)	£36.00
CE0018N	020 AO	020 AA	020 AC	CSEV 020 (AO/AA/AC)	£42.00
CE0036N	025 AO	025 AA	025 AC	CSEV 025 (AO/AA/AC)	£51.00
CE0066N	030 AO	030 AA	030 AC	CSEV 030 (AO/AA/AC)	£61.00
CE0096N	035 AO	035 AA	035 AC	CSEV 035 (AO/AA/AC)	£81.00
CE0132N	040 AO	040 AA	040 AC	CSEV 040(AO/AA/AC)	£95.00
CE0198N	045 AO	045 AA	045 AC	CSEV 045 (AO/AA/AC)	£117.00
CE0258N	050 AO	050 AA	050 AC	CSEV 050 (AO/AA/AC)	£127.00
CE0372N	055 AO	055 AA	055 AC	CSEV 055 (AO/AA/AC)	£191.00
CE0600N	060 AO	060 AA	060 AC	CSEV 060 (AO/AA/AC)	£127.00

Alternative filter elements

CompAir (pre 'CF & 'X' ranges)

STERLING

Housing	Element 1µ	Element 0.01µ	Element (Carbon)	1µ/0.01µ/carbon	List Price
006	CE0005 B	CE0005 C	CE0005 D	CSC 006 (AO/AA/ACS)	£22.00
012	CE0010 B	CE0010 C	CE0010 D	CSC 012 (AO/AA/ACS)	£31.00
018	CE0018 B	CE0018 C	CE0018 D	CSC 018 (AO/AA/ACS)	£40.00
036	CE0036 B	CE0036 C	CE0036 D	CSC 036 (AO/AA/ACS)	£57.00
048/072/087	CE0048/72/87 B	CE0048/72/87 C	CE0048/72/87 D	CSC 048 (AO/AA/ACS)	£74.00
0120/0132	CE0120/132 B	CE0120/132 C	CE0120/132 D	CSC 120 (AO/AA/ACS)	£100.00
198	CE0198 B	CE0198 C	CE0198 D	CSC 198 (AO/AA/ACS)	£142.00
240/258	CE0240/258 B	CE0240/258 C	CE0240/258 D	CSC 240 (AO/AA/ACS)	£202.00
372	CE0372 B	CE0372 C	CE0372 D	CSC 372 (AO/AA/ACS)	£275.00

CP (Current)

STERLING

Housing	Element 1µ	Element 0.01µ	Element (Carbon)	1µ/0.01µ/carbon	List Price
FILTER 45	45 P	45 C	45 V	CSAM0045 R/S/A	£28.00
FILTER 90	90 P	90 C	90 V	CSAM0090 R/S/A	£31.00
FILTER 125	125 P	125 C	125 V	CSAM0125 R/S/A	£33.00
FILTER 180	180 P	180 C	180 V	CSAM0180 R/S/A	£39.00
FILTER 290	290 P	290 C	290 V	CSAM0290 R/S/A	£54.00
FILTER 505	505 P	505 C	505 V	CSAM0505 R/S/A	£70.00
FILTER 685	685 P	685 C	685 V	CSAM0685 R/S/A	£79.00
FILTER 935	935 P	935 C	935 V	CSAM0935 R/S/A	£99.00
FILTER 1295	1295 P	1295 C	1295 V	CSAM1295 R/S/A	£148.00
FILTER 1890	1890 P	1890 C	1890 V	CSAM1890 R/S/A	£165.00
FILTER 2430	2430 P	2430 C	2430 V	CSAM2430 R/S/A	£199.00

Domnick Hunter (pre 1995)

STERLING

Housing	Element 25µ	Element 1µ	Element 0.01µ	Element (Carbon)	25µ/1µ/0.01µ/carbon	List Price
009G/006G	K009 / K006 PF	K009 / K006 GPP	K009 / K006 OFP	K009 / K006 AC	CS009 PF/AO/AA/ACS	£18.00
017G/013G	K017 / K013 P	K017 / K013 GPP	K017 / K013 OFP	K017 / K013 AC	CS017 PF/AO/AA/ACS	£26.00
030G/025G	K030 / K025 PF	K030 / K025 GPP	K030 / K025 OFP	K030 / K025 AC	CS030 PF/AO/AA/ACS	£31.00
058G/040G	K058 / K040 PF	K058 / K040 GPP	K058 / K040 OFP	K058 / K040 AC	CS058 PF/AO/AA/ACS	£42.00
145G/085G	K145 / K085 PF	K145 / K085 GPP	K145 / K085 OFP	K145 / K085 AC	CS145 PF/AO/AA/ACS	£56.00
220G/195G	K220 / K195 PF	K220 / K195 GPP	K220 / K195 OFP	K220 / K195 AC	CS220 PF/AO/AA/ACS	£74.00
330G/295G	K330 / K295 PF	K330 / K295 GPP	K330 / K295 OFP	K330 / K295 AC	CS330 PF/AO/AA/ACS	£108.00
430G/400G	K430 / K400 PF	K430 / K400 GPP	K430 / K400 OFP	K430 / K400 AC	CS430 PF/AO/AA/ACS	£144.00
620G/500G	K620 / K500 PF	K620 / K500 GPP	K620 / K500 OFP	K620 / K500 AC	CS620 PF/AO/AA/ACS	£196.00

Domnick Hunter Evolution

STERLING

Housing	Element 1μ	Element 0.01μ	Element (Carbon)	1μ/0.01μ/carbon	List Price
DH 005	005 AO	005 AA	005 AC	CSEV 005 (AO/AA/AC)	£26.00
DH 010	010 AO	010 AA	010 AC	CSEV 010 (AO/AA/AC)	£27.00
DH 015	015 AO	015 AA	015 AC	CSEV 015 (AO/AA/AC)	£36.00
DH 020	020 AO	020 AA	020 AC	CSEV 020 (AO/AA/AC)	£42.00
DH 025	025 AO	025 AA	025 AC	CSEV 025 (AO/AA/AC)	£51.00
DH 030	030 AO	030 AA	030 AC	CSEV 030 (AO/AA/AC)	£61.00
DH 035	035 AO	035 AA	035 AC	CSEV 035 (AO/AA/AC)	£81.00
DH 040	040 AO	040 AA	040 AC	CSEV 040(AO/AA/AC)	£95.00
DH 045	045 AO	045 AA	045 AC	CSEV 045 (AO/AA/AC)	£117.00
DH 050	050 AO	050 AA	050 AC	CSEV 050 (AO/AA/AC)	£127.00
DH 055	055 AO	055 AA	055 AC	CSEV 055 (AO/AA/AC)	£191.00
DH 060	060 AO	060 AA	060 AC	CSEV 060 (AO/AA/AC)	£127.00
DH 100	100 AO	100 AA	100 AC	CSEV 100 (AO/AA/AC)	£187.00
DH 150	150 AO	150 AA	150 AC	CSEV 150 (AO/AA/AC)	£191.00
DH 200	200 AO	200 AA	200 AC	CSEV 200 (AO/AA/AC)	£268.00

Hankison

Aluminium end caps
Factory order req'd

STERLING

Housing	Element 3μ	Element 1μ	Element 0.01μ	Element (Carbon)	3μ/1μ/0.01μ/carbon	List Price
HF12	E 9 12	E 7 12	E 5 12	E 1 12	CS (9/7/5/1) E12	£83.00
HF16	E 9 16	E 7 16	E 5 16	E 1 16	CS (9/7/5/1) E16	£87.00
HF20	E 9 20	E 7 20	E 5 20	E 1 20	CS (9/7/5/1) E20	£91.00
HF24	E 9 24	E 7 24	E 5 24	E 1 24	CS (9/7/5/1) E24	£102.00
HF28	E 9 28	E 7 28	E 5 28	E 1 28	CS (9/7/5/1) E28	£115.00
HF32	E 9 32	E 7 32	E 5 32	E 1 32	CS (9/7/5/1) E32	£138.00
HF36	E 9 36	E 7 36	E 5 36	E 1 36	CS (9/7/5/1) E36	£179.00
HF40	E 9 40	E 7 40	E 5 40	E 1 40	CS (9/7/5/1) E40	£228.00
HF44	E 9 44	E 7 44	E 5 44	E 1 44	CS (9/7/5/1) E44	£245.00
HF48	E 9 48	E 7 48	E 5 48	E 1 48	CS (9/7/5/1) E48	£253.00
HF52	E 9 52	E 7 52	E 5 52	E 1 52	CS (9/7/5/1) E52	£424.00
HF54	E 9 54	E 7 54	E 5 54	E 1 54	CS (9/7/5/1) E54	£424.00

Hiros

STERLING

Housing	Element 5μ	Element 1μ	Element 0.01μ	Element(Carbon)	5μ/1μ/0.01μ/carbon	List Price
HF 004/010	HF 004 Q	HF 004 P	HF 004 S	HF 004 C	CSH 004 (Q/P/S/C)	£21.00
HF 007/016	HF 007 Q	HF 007 P	HF 007 S	HF 007 C	CSH 007 (Q/P/S/C)	£25.00
HF 015/022	HF 015 Q	HF 015 P	HF 015 S	HF 015 C	CSH 015 (Q/P/S/C)	£27.00
HF 024/030	HF 024 Q	HF 024 P	HF 024 S	HF 024 C	CSH 024 (Q/P/S/C)	£31.00
HF 035/045	HF 035 Q	HF 035 P	HF 035 S	HF 035 C	CSH 035 (Q/P/S/C)	£37.00
HF 060/072	HF 060 Q	HF 060 P	HF 060 S	HF 060 C	CSH 060 (Q/P/S/C)	£49.00
HF 090/135	HF 090 Q	HF 090 P	HF 090 S	HF 090 C	CSH 090 (Q/P/S/C)	£61.00
HF 120/205	HF 120 Q	HF 120 P	HF 120 S	HF 120 C	CSH 120 (Q/P/S/C)	£81.00
HF 150/180	HF 150 Q	HF 150 P	HF 150 S	HF 150 C	CSH 150 (Q/P/S/C)	£91.00
HF 240/280	HF 240 Q	HF 240 P	HF 240 S	HF 240 C	CSH 240 (Q/P/S/C)	£155.00

Alternative filter elements

Hi-line industries

STERLING

Housing	Element 3µ	Element 1µ	Element 0.01µ	Element (Carbon)	3µ/1µ/0.01µ/carbon	List Price
HF25-N	HE15 2	HE15 3	HE15 4	HE15 5	CS 1030 V/Z/X/A	£17.00
HF36-N	HE36 2	HE36 3	HE36 4	HE36 5	CS 1050 V/Z/X/A	£19.00
HF50-N	HE50 2	HE50 3	HE50 4	HE50 5	CS 1070 V/Z/X/A	£24.00
HF72-N	HE72 2	HE72 3	HE72 4	HE72 5	CS 1140 V/Z/X/A	£30.00
HF75-N	HE72 2	HE72 3	HE72 4	HE72 5	CS 1140 V/Z/X/A	£30.00
HF120-N	HE120 2	HE120 3	HE120 4	HE120 5	CS 2010 V/Z/X/A	£39.00
HF210-N	HE210 2	HE210 3	HE210 4	HE210 5	CS 2020 V/Z/X/A	£51.00
HF320-N	HE320 2	HE320 3	HE320 4	HE320 5	CS 2030 V/Z/X/A	£66.00
HF500-N	HE500 2	HE500 3	HE500 4	HE500 5	CS 2050 V/Z/X/A	£78.00
HF630-N	HE630 2	HE630 3	HE630 4	HE630 5	CS 3050 V/Z/X/A	£108.00
HF850-N	HE850 2	HE850 3	HE850 4	HE850 5	CS 3075 V/Z/X/A	£132.00
HF1400-N	HE1400 2	HE1400 3	HE1400 4	HE1400 5	CS 5060 V/Z/X/A	£194.00
HF1700-N	HE1700 2	HE1700 3	HE1700 4	HE1700 5	CS 5075 V/Z/X/A	£204.00

H_{PC} (pre 2005)

STERLING

Housing	Element 25µ	Element 1µ	Element 0.01µ	Element 25µ	25µ/1µ/0.01µ/carbon	List Price
009G/006G	K009 / K006 PF	K009 / K006 AO	K009 / K006 AA	K009 / K006 ACS	CS009 PF/AO/AA/ACS	£18.00
017G/013G	K017 / K013 PF	K017 / K013 AO	K017 / K013 AA	K017 / K013 ACS	CS017 PF/AO/AA/ACS	£26.00
030G/025G	K030 / K025 PF	K030 / K025 AO	K030 / K025 AA	K030 / K025 ACS	CS030 PF/AO/AA/ACS	£31.00
058G/040G	K058 / K040 PF	K058 / K040 AO	K058 / K040 AA	K058 / K040 ACS	CS058 PF/AO/AA/ACS	£42.00
145G/085G	K145 / K085 PF	K145 / K085 AO	K145 / K085 AA	K145 / K085 ACS	CS145 PF/AO/AA/ACS	£56.00
220G/195G	K220 / K195 PF	K220 / K195 AO	K220 / K195 AA	K220 / K195 ACS	CS220 PF/AO/AA/ACS	£74.00
330G/295G	K330 / K295 PF	K330 / K295 AO	K330 / K295 AA	K330 / K295 ACS	CS330 PF/AO/AA/ACS	£108.00
430G/400G	K430 / K400 PF	K430 / K400 AO	K430 / K400 AA	K430 / K400 ACS	CS430 PF/AO/AA/ACS	£144.00
620G/500G	K620 / K500 PF	K620 / K500 AO	K620 / K500 AA	K620 / K500 ACS	CS620 PF/AO/AA/ACS	£196.00

Ingersoll Rand

STERLING

Housing	Element 1µ	Element 0.01µ	Element Carbon	25µ/1µ/0.01µ/carbon	List Price
E4/5	E4 or E5 AO	E4 or E5 AA	E4 or E5 AC	CS009 PF/AO/AA/ACS	£18.00
E8/10	E4 or E5 AO	E4 or E5 AA	E4 or E5 AC	CS017 PF/AO/AA/ACS	£26.00
E15/18	E4 or E5 AO	E4 or E5 AA	E4 or E5 AC	CS030 PF/AO/AA/ACS	£31.00
E24/36	E4 or E5 AO	E4 or E5 AA	E4 or E5 AC	CS058 PF/AO/AA/ACS	£42.00
E39/48	E4 or E5 AO	E4 or E5 AA	E4 or E5 AC	CS145 PF/AO/AA/ACS	£56.00
E105/119	E4 or E5 AO	E4 or E5 AA	E4 or E5 AC	CS220 PF/AO/AA/ACS	£74.00
E180/198	E4 or E5 AO	E4 or E5 AA	E4 or E5 AC	CS330 PF/AO/AA/ACS	£108.00
E239/240	E4 or E5 AO	E4 or E5 AA	E4 or E5 AC	CS430 PF/AO/AA/ACS	£144.00
E300/372	E4 or E5 AO	E4 or E5 AA	E4 or E5 AC	CS620 PF/AO/AA/ACS	£196.00

Kaeser

Aluminium end caps
Factory order req'd

STERLING

Housing	Element 3µ	Element 1µ	Element 0.01µ	Element (Carbon)	3µ/1µ/0.01µ/carbon	List Price
006	E B 6	E C 6	E E 6	E G 6	CS (9/7/5/1) E12	£83.00
010	E B 10	E C 10	E E 10	E G 10	CS (9/7/5/1) E16	£87.00
018	E B 18	E C 18	E E 18	E G 18	CS (9/7/5/1) E20	£91.00
028	E B 28	E C 28	E E 28	E G 28	CS (9/7/5/1) E24	£102.00
048	E B 48	E C 48	E E 48	E G 48	CS (9/7/5/1) E28	£115.00
071	E B 71	E C 71	E E 71	E G 71	CS (9/7/5/1) E32	£138.00
107	E B107	E C 107	E E 107	E G 107	CS (9/7/5/1) E36	£179.00
138	E B 138	E C 138	E E 138	E G 138	CS (9/7/5/1) E40	£228.00
177	E B 177	E C 177	E E 177	E G 177	CS (9/7/5/1) E44	£245.00
221	E B 221	E C 221	E E 221	E G 221	CS (9/7/5/1) E48	£253.00

Mark / Ceccato (pre c2013)

STERLING

Housing	Element 3µ	Element 1µ	Element 0.01µ	Element (Carbon)	3µ/1µ/0.01µ/carbon	List Price
MC 10 H	10 FPRO	10 FPRE	10 FMM	10 FCA	CS 0056 (P/R/S/A)	£22.66
MC 13 H	13 FPRO	13 FPRE	13 FMM	13 FCA	CS 0076 (P/R/S/A)	£26.78
MC 20 H	20 FPRO	20 FPRE	20 FMM	20 FCA	CS 0106 (P/R/S/A)	£35.02
MC33 H	33 FPRO	33 FPRE	33 FMM	33 FCA	CS 0186 (P/R/S/A)	£43.26
MC 60 H	60 FPRO	60 FPRE	60 FMM	60 FCA	CS 0306 (P/R/S/A)	£61.80
MC 85 H	85 FPRO	85 FPRE	85 FMM	85 FCA	CS 0476 (P/R/S/A)	£72.10
MC 130 H	130 FPRO	130 FPRE	130 FMM	130 FCA	CS 0706 (P/R/S/A)	£90.64
MC 170 H	170 FPRO	170 FPRE	170 FMM	170 FCA	CS 0946 (P/R/S/A)	£129.78
MC 250 H	250 FPRO	250 FPRE	250 FMM	250 FCA	CS 1506 (P/R/S/A)	£158.62
MC 400 H	400 FPRO	400 FPRE	400 FMM	400 FCA	CS 2406 (P/R/S/A)	£237.00

MARK / Ceccato

STERLING

Housing	Element 1µ	Element 0.01µ	Element (Carbon)	1µ/0.01µ/carbon	List Price
FILTER 45	45 P	45 C	45 V	CSAM0045 R/S/A	£28.00
FILTER 90	90 P	90 C	90 V	CSAM0090 R/S/A	£31.00
FILTER 125	125 P	125 C	125 V	CSAM0125 R/S/A	£33.00
FILTER 180	180 P	180 C	180 V	CSAM0180 R/S/A	£39.00
FILTER 290	290 P	290 C	290 V	CSAM0290 R/S/A	£54.00
FILTER 505	505 P	505 C	505 V	CSAM0505 R/S/A	£70.00
FILTER 685	685 P	685 C	685 V	CSAM0685 R/S/A	£79.00
FILTER 935	935 P	935 C	935 V	CSAM0935 R/S/A	£99.00
FILTER 1295	1295 P	1295 C	1295 V	CSAM1295 R/S/A	£148.00
FILTER 1890	1890 P	1890 C	1890 V	CSAM1890 R/S/A	£165.00
FILTER 2430	2430 P	2430 C	2430 V	CSAM2430 R/S/A	£199.00

Alternative filter elements

M_{TA}

STERLING

Housing	Element 3μ	Element 1μ	Element 0.01μ	Element (Carbon)	3μ/1μ/0.01μ/carbon	List Price
HEF 005	1/06050 P	1/06050 M	1/06050 S	1/06050 A	CS 005 (P/R/S/A)	£19.00
HEF 007	1/07050 P	1/07050 M	1/07050 S	1/07050 A	CS 007 (P/R/S/A)	£23.00
HEF 010	1/14050 P	1/14050 M	1/14050 S	1/14050 A	CS 010 (P/R/S/A)	£29.00
HEF 018	1/12075 P	1/12075 M	1/12075 S	1/12075 A	CS 018 (P/R/S/A)	£36.00
HEF 030	1/22075 P	1/22075 M	1/22075 S	1/22075 A	CS 030 (P/R/S/A)	£51.00
HEF 047	1/32075 P	1/32075 M	1/32075 S	1/32075 A	CS 047 (P/R/S/A)	£59.00
HEF 070	1/50075 P	1/50075 M	1/50075 S	1/50075 A	CS 070 (P/R/S/A)	£76.00
HEF 094	1/51090 P	1/51090 M	1/51090 S	1/51090 A	CS 094 (P/R/S/A)	£106.00
HEF 150	1/76090 P	1/76090 M	1/76090 S	1/76090 A	CS 150 (P/R/S/A)	£132.00
HEF 240	1/75140 P	1/75140 M	1/75140 S	1/75140 A	CS 240 (P/R/S/A)	£181.00

O_{mega} (original OEM elements)

STERLING

Housing	Element 3μ	Element 1μ	Element 0.01μ	Element (Carbon)	3μ/1μ/0.01μ/carbon	List Price
AF 0056	06050 P	06050 R	06050 S	06050 A	CS 0056 (P/R/S/A)	£22.66
AF 0076	07050 P	07050 R	07050 S	07050 A	CS 0076 (P/R/S/A)	£26.78
AF 0106	14050 P	14050 R	14050 S	14050 A	CS 0106 (P/R/S/A)	£35.02
AF 0186	12075 P	12075 R	12075 S	12075 A	CS 0186 (P/R/S/A)	£43.26
AF 0306	22075 P	22075 R	22075 S	22075 A	CS 0306 (P/R/S/A)	£61.80
AF 0476	32075 P	32075 R	32075 S	32075 A	CS 0476 (P/R/S/A)	£72.10
AF 0706	50075 P	50075 R	50075 S	50075 A	CS 0706 (P/R/S/A)	£90.64
AF 0946	51090 P	51090 R	51090 S	51090 A	CS 0946 (P/R/S/A)	£129.78
AF 1506	76090 P	76090 R	76090 S	76090 A	CS 1506 (P/R/S/A)	£158.62
AF 2406	75140 P	75140 R	75140 S	75140 A	CS 2406 (P/R/S/A)	£237.00

O_{MI}

STERLING

Housing	Element 3μ	Element 1μ	Element 0.01μ	Element (Carbon)	3μ/1μ/0.01μ/carbon	List Price
0004 / 005	0004 QF	0004 PF	0004 HF	0004 CF	CSO 004 (QF/PF/HF/CF)	£19.00
0008 / 010	0008 QF	0008 PF	0008 HF	0008 CF	CSO 008 (QF/PF/HF/CF)	£23.00
0016 / 0018	0016 QF	0016 PF	0016 HF	0016 CF	CSO 016 (QF/PF/HF/CF)	£29.00
0025 / 0034	0025 QF	0025 PF	0025 HF	0025 CF	CSO 025 (QF/PF/HF/CF)	£34.00
0036 / 0050	0036 QF	0036 PF	0036 HF	0036 CF	CSO 036 (QF/PF/HF/CF)	£38.00
0060 / 0095	0060 QF	0060 PF	0060 HF	0060 CF	CSO 060 (QF/PF/HF/CF)	£51.00
0070	0070 QF	0070 PF	0070 HF	0070 CF	CSO 070 (QF/PF/HF/CF)	£57.00
0090 / 0125	0090 QF	0090 PF	0090 HF	0090 CF	CSO 090 (QF/PF/HF/CF)	£66.00
0120 / 0165	0120 QF	0120 PF	0120 HF	0120 CF	CSO 120 (QF/PF/HF/CF)	£85.00
0185 / 0220	0185 QF	0185 PF	0185 HF	0185 CF	CSO 185 (QF/PF/HF/CF)	£117.00

Puska

STERLING

Housing	Element 3µ	Element 1µ	Element 0.01µ	Element (Carbon)	3µ/1µ/0.01µ/carbon	List Price
PM 10 H	10 PRO	10 PMO	10 PMM	10 PCA	CS 0056 (P/R/S/A)	£22.66
PM 13 H	13 PRO	13 PMO	13 PMM	13 PCA	CS 0076 (P/R/S/A)	£26.78
PM 20 H	20 PRO	20 PMO	20 PMM	20 PCA	CS 0106 (P/R/S/A)	£35.02
PM 33 H	33 PRO	33 PMO	33 PMM	33 PCA	CS 0186 (P/R/S/A)	£43.26
PM 60 H	60 PRO	60 PMO	60 PMM	60 PCA	CS 0306 (P/R/S/A)	£61.80
PM 85 H	85 PRO	85 PMO	85 PMM	85 PCA	CS 0476 (P/R/S/A)	£72.10
PM 130 H	130 PRO	130 PMO	130 PMM	130 PCA	CS 0706 (P/R/S/A)	£90.64
PM 170 H	170 PRO	170 PMO	170 PMM	170 PCA	CS 0946 (P/R/S/A)	£129.78
PM 250 H	250 PRO	250 PMO	250 PMM	250 PCA	CS 1506 (P/R/S/A)	£158.62
PM 400 H	400 PRO	400 PMO	400 PMM	400 PCA	CS 2406 (P/R/S/A)	£237.00

Pneumatech current

STERLING

Housing	Element 1µ	Element 0.01µ	Element (Carbon)	1µ/0.01µ/carbon	List Price
TF1	TF1 P	TF1 C	TF1 V	CSAM0045 R/S/A	£28.00
TF2	TF2 P	TF2 C	TF2 V	CSAM0090 R/S/A	£31.00
TF3	TF3 P	TF3 C	TF3 V	CSAM0125 R/S/A	£33.00
TF4	TF4 P	TF4 C	TF4 V	CSAM0180 R/S/A	£39.00
TF5	TF5 P	TF5 C	TF5 V	CSAM0290 R/S/A	£54.00
TF6	TF6 P	TF6 C	TF6 V	CSAM0505 R/S/A	£70.00
TF7	TF7 P	TF7 C	TF7 V	CSAM0685 R/S/A	£79.00
TF8	TF8 P	TF8 C	TF8 V	CSAM0935 R/S/A	£99.00
TF9	TF9 P	TF9 C	TF9 V	CSAM1295 R/S/A	£148.00
TF10	TF10 P	TF10 C	TF10 V	CSAM1890 R/S/A	£165.00
TF11	TF11 P	TF11 C	TF11 V	CSAM2430 R/S/A	£199.00

Sullair

STERLING

Housing	Element 1µ	Housing	Element 0.01µ	Housing	Element (Carbon)	1µ/0.01µ/carbon	List Price
423	250024-423 (AO)	431	250024-431 (AA)	443	250024-443 (ACS)	CS009 AO/AA/ACS	£18.00
424	250024-424 (AO)	432	250024-432 (AA)	444	250024-444 (ACS)	CS017 AO/AA/ACS	£26.00
425	250024-425 (AO)	433	250024-433 (AA)	445	250024-445 (ACS)	CS030 AO/AA/ACS	£31.00
426	250024-426 (AO)	434	250024-434 (AA)	446	250024-446 (ACS)	CS058 AO/AA/ACS	£42.00
427	250024-427 (AO)	435	250024-435 (AA)	447	250024-447 (ACS)	CS145 AO/AA/ACS	£56.00
428	250024-428 (AO)	436	250024-436 (AA)	439	250024-449 (ACS)	CS220 AO/AA/ACS	£74.00
429	250024-429 (AO)	437	250024-437 (AA)	440	250024-440 (ACS)	CS330 AO/AA/ACS	£108.00
644	250024-644 (AO)	655	250024-655 (AA)	656	250024-646 (ACS)	CS430 AO/AA/ACS	£144.00
430	250024-430 (AO)	438	250024-438 (AA)	441	250024-441 (ACS)	CS620 AO/AA/ACS	£196.00

Alternative filter elements

Ultrafilter/Donaldson Series 90

STERLING

Housing	Element 25µ	Element 1µ	Element 0.1µ	Element 0.01µ	Element (Carbon)	25µ/1µ/0.1µ/0.01µ/carbon	List Price
0001/0002	02/05 PE	02/05 FF	02/05 MF	02/05 SMF	02/05 AK	CS02/05 (PE/FF/MF/SMF/AK)	£23.00
0003/0004	03/05 PE	03/05 FF	03/05 MF	03/05 SMF	03/05 AK	CS03/05 (PE/FF/MF/SMF/AK)	£24.00
0006	02/10 PE	02/10 FF	02/10 MF	02/10 SMF	02/10 AK	CS02/10 (PE/FF/MF/SMF/AK)	£25.00
0009	04/10 PE	04/10 FF	04/10 MF	04/10 SMF	04/10 AK	CS04/10 (PE/FF/MF/SMF/AK)	£27.00
0012	04/20 PE	04/20 FF	04/20 MF	04/20 SMF	04/20 AK	CS04/20 (PE/FF/MF/SMF/AK)	£29.00
0018	05/20 PE	05/20 FF	05/20 MF	05/20 SMF	05/20 AK	CS05/20 (PE/FF/MF/SMF/AK)	£35.00
0027	05/25 PE	05/25 FF	05/25 MF	05/25 SMF	05/25 AK	CS05/25 (PE/FF/MF/SMF/AK)	£39.00
0036	07/25 PE	07/25 FF	07/25 MF	07/25 SMF	07/25 AK	CS07/25 (PE/FF/MF/SMF/AK)	£46.00
0048	07/30 PE	07/30 FF	07/30 MF	07/30 SMF	07/30 AK	CS07/30 (PE/FF/MF/SMF/AK)	£53.00
0072	10/30 PE	10/30 FF	10/30 MF	10/30 SMF	10/30 AK	CS10/30 (PE/FF/MF/SMF/AK)	£59.00
0108	15/30 PE	15/30 FF	15/30 MF	15/30 SMF	15/30 AK	CS15/30 (PE/FF/MF/SMF/AK)	£72.00
0144	20/30 PE	20/30 FF	20/30 MF	20/30 SMF	20/30 AK	CS20/30 (PE/FF/MF/SMF/AK)	£87.00
0192	30/30 PE	30/30 FF	30/30 MF	30/30 SMF	30/30 AK	CS30/30 (PE/FF/MF/SMF/AK)	£115.00
0288	30/50 PE	30/50 FF	30/50 MF	30/50 SMF	30/50 AK	CS30/50 (PE/FF/MF/SMF/AK)	£183.00

Walker filtration

Aluminium end caps
Factory order req'd

STERLING

Housing	Element 5µ	Element 1µ	Element 0.01µ	Element (Carbon)	5µ/1µ/0.01µ/carbon	List Price
A20	E361 X5	E361 X1	E361 XA	E361 AC	CSWE361 (X5/X1/XA/AC)	£40.00
A30	E371 X5	E371 X1	E371 XA	E371 AC	CSWE371 (X5/X1/XA/AC)	£42.00
A55	E511 X5	E511 X1	E511 XA	E511 AC	CSWE511 (X5/X1/XA/AC)	£53.00
A76	E711 X5	E711 X1	E711 XA	E711 AC	CSWE711 (X5/X1/XA/AC)	£72.00
A105	E811 X5	E811 X1	E811 XA	E811 AC	CSWE811 (X5/X1/XA/AC)	£83.00
A106	E731 X5	E731 X1	E731 XA	E731 AC	CSWE731 (X5/X1/XA/AC)	£87.00
A126	E821 X5	E821 X1	E821 XA	E821 AC	CSWE821 (X5/X1/XA/AC)	£100.00
A153/A203	E831 X5	E831 X1	E831 XA	E831 AC	CSWE831 (X5/X1/XA/AC)	£102.00
A205'	E851 X5	E851 X1	E851 XA	E851 AC	CSWE851 (X5/X1/XA/AC)	£138.00
A250/A305	E1251 X5	E1251 X1	E1251 XA	E1251 AC	CSWE1251 (X5/X1/XA/AC)	£208.00
A306	E1261 X5	E1261 X1	E1261 XA	E1261 AC	CSWE1261 (X5/X1/XA/AC)	£266.00
A308	E1281 X5	E1281 X1	E1281 XA	E1281 AC	CSWE1281 (X5/X1/XA/AC)	£275.00

Worthington (pre c2013)

STERLING

Housing	Element 3µ	Element 1µ	Element 0.01µ	Element (Carbon)	3µ/1µ/0.01µ/carbon	List Price
D 60	D 60 P	D 60 D	D 60 S	D 60 A	CS 0056 (P/R/S/A)	£22.66
D 80	D 80 P	D 80 D	D 80 S	D 80 A	CS 0076 (P/R/S/A)	£26.78
D 120	D 120 P	D 120 D	D 120 S	D 120 A	CS 0106 (P/R/S/A)	£35.02
D 200	D 200 P	D 200 D	D 200 S	D 200 A	CS 0186 (P/R/S/A)	£43.26
D 340	D 340 P	D 340 D	D 340 S	D 340 A	CS 0306 (P/R/S/A)	£61.80
D 510	D 510 P	D 510 D	D 510 S	D 510 A	CS 0476 (P/R/S/A)	£72.10
D 800	D 800 P	D 800 D	D 800 S	D 800 A	CS 0706 (P/R/S/A)	£90.64
D 100	D 100 P	D 100 D	D 100 S	D 100 A	CS 0946 (P/R/S/A)	£129.78
D 1500	D 1500 P	D 1500 D	D 1500 S	D 1500 A	CS 1506 (P/R/S/A)	£158.62
D 2400	D 2400 P	D 2400 D	D 2400 S	D 2400 A	CS 2406 (P/R/S/A)	£237.00

Worthington (Current)

STERLING

Housing	Element 1µ	Element 0.01µ	Element (Carbon)	1µ/0.01µ/carbon	List Price
FILTER 45	45 P	45 C	45 V	CSAM0045 R/S/A	£28.00
FILTER 90	90 P	90 C	90 V	CSAM0090 R/S/A	£31.00
FILTER 125	125 P	125 C	125 V	CSAM0125 R/S/A	£33.00
FILTER 180	180 P	180 C	180 V	CSAM0180 R/S/A	£39.00
FILTER 290	290 P	290 C	290 V	CSAM0290 R/S/A	£54.00
FILTER 505	505 P	505 C	505 V	CSAM0505 R/S/A	£70.00
FILTER 685	685 P	685 C	685 V	CSAM0685 R/S/A	£79.00
FILTER 935	935 P	935 C	935 V	CSAM0935 R/S/A	£99.00
FILTER 1295	1295 P	1295 C	1295 V	CSAM1295 R/S/A	£148.00
FILTER 1890	1890 P	1890 C	1890 V	CSAM1890 R/S/A	£165.00
FILTER 2430	2430 P	2430 C	2430 V	CSAM2430 R/S/A	£199.00

Zander

STERLING

Housing	Element 3µ	Element 1µ	Element 0.01µ	Element (Carbon)	3µ/1µ/0.01µ/carbon	List Price
G2	1030 V	1030 Z	1030 X	1030 A	CS1030 (V/Z/X/A)	£17.00
G3	1050 V	1050 Z	1050 X	1050 A	CS1050 (V/Z/X/A)	£19.00
G5	1070 V	1070 Z	1070 X	1070 A	CS1070 (V/Z/X/A)	£24.00
G7	1140 V	1140 Z	1140 X	1140 A	CS1140 (V/Z/X/A)	£30.00
G9	2010 V	2010 Z	2010 X	2010 A	CS2010 (V/Z/X/A)	£39.00
G11	2020 V	2020 Z	2020 X	2020 A	CS2020 (V/Z/X/A)	£51.00
G12	2030 V	2030 Z	2030 X	2030 A	CS2030 (V/Z/X/A)	£66.00
G13	2050 V	2050 Z	2050 X	2050 A	CS2050 (V/Z/X/A)	£78.00
G14	3050 V	3050 Z	3050 X	3050 A	CS3050 (V/Z/X/A)	£108.00
G17	3075 V	3075 Z	3075 X	3075 A	CS3075 (V/Z/X/A)	£132.00
G19	5075 V	5075 Z	5075 X	5075 A	CS5075 (V/Z/X/A)	£204.00

Drains for filter housings



Model	Description	List price
AOK 16 B	For STERLING CSHxx housings	£34.00
JADC-BC-FN	For Domnick Hunter Housings	£18.54
JADL-400-G14	For Ultrafilter housings	£18.54

HAZARDOUS WASTE & COMPRESSED AIR CONDENSATE

New Regulation for old!

The Special Waste regulations were withdrawn following the introduction of the Hazardous Waste regulations in July 2005. These affect all owners of compressed air systems with respect to the proper disposal of condensate, since this usually contaminated with oil and other potential harmful substances.

Water Resources Act

The UK Water Resources Act states that it is an offence to knowingly permit entry of toxic waste to surface or ground water. It is an offence, punishable with a fine of £20,000 or more in a crown court. Here are some frequently asked questions regarding condensate from compressed air systems. See also Fact sheet no.301 for other compressed air equipment items which come under the regulations.

I've installed an oil-water separator; does this mean I can put the treated condensate down the foul sewer?

Yes, but only if the oil content is within the local water authority's specified limit for oil or any other harmful substance. This limit varies with regional authorities, so check first that you comply. In all cases you will need a "consent to discharge" from your local water authority (even if using biodegradable oils). You will need evidence that the discharge is below limits. The water authority may offer the testing service for a fee, or other service providers can be found at www.ukas.org.uk

How should I dispose of the bulk oil content resulting from an oil-water separator?

This bulk oil must be taken away by a company who has either registered as a Hazardous Waste Producer or is a Licensed Waste Carrier.

How do I check that my supplier complies?

Ensure the company who performs this service for you has the correct procedures in place and will ensure legal disposal of your waste oil.

Ask to see the waste carrier's licence and check the date.

Ask to see an audit trail of your waste oil for proof that it has been disposed of properly.

Other useful links and information

See the Environment Agency's website for more information, including storage of oil.

<http://www.environment-agency.gov.uk/business/444304/444367/1194965/1194985/>

This is the page found via route Business sectors > Fuel and power > Oil > Oil care

STERLING
separation

STERLING Separation Ltd is a member of the British Compressed Air Society

We have made this BCAS document available to our customers and product users to help explain the need to dispose of oil/contaminated compressed air condensate legally

Other services

STERLING has many years of compressed air experience, in-house. The result of that is we're in a great position to offer sound advice - for free!

Site visits

Whether you currently buy from **STERLING**, even if you have a query or problem with an installation based on a competitor's product we can arrange to visit site with your engineer. The advice you'll get will be honest and fair - and our extensive field experience ensures it will also be correct.

Condensate testing

In our laboratory we have facilities for condensate testing to a high degree of precision. Whatever the reason, we can run a representative sample through our Wilks InfraCal 2 analyzer and give you a reading of oil-in-water to the nearest +/- 1ppm.

Please note: We are not a certified laboratory, but the equipment used is calibrated and maintained correctly, and operating procedures are documented.

Condensate management training

STERLING offers these training courses because great product can only do a great job if it's selected, installed, maintained and serviced properly. We'll give your people what they need, whether it's an overview of the subject - perhaps for an internal sales person, or a complete and detailed discussion on the why? what? how? when? and where? for a sales or service engineer.

One very popular option is a one-hour slot at your sales meeting, with hands on the product, and a bias towards the sales benefits, of course. There's no charge, and we'll come to you. Call us for details.

STERLING[®] **separation**

Company details

Company Registration Number: 05844056

VAT number: GB 897149564

Bank: HSBC

Sort code: 40-28-18

Account no. 91780395

BIC HBUKGB4138F

IBAN GB75HBUK40281891780395

Registered Office

Stowegate House
Lombard Street
Lichfield
Staffs
WS13 6DP

Business Address & contact details

**STERLING Separation Ltd,
Unit 24 Longford Ind Est, Longford Rd, Bridgtown , Cannock, Staffs, WS11 0DG**

Tel: 00 44 (0)1543 502010 Fax 00 44 (0)1543 578212

Skype: Logistics_1485

Email sales@sterlingsep.com Web www.sterlingsep.com

STERLING[®] **separation**

“The product of experience”

